



Production Processing



IQC



Components Test



Assembly



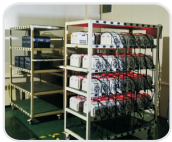
Loading Test



SMD



PCBA Coating



50°C Aging Test (24 hours)



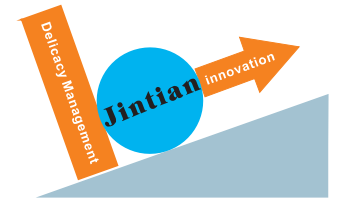
Packing & Dispatching

Your Unique Choice For Automation Technology

R&D

- Jintian's R&D core team members have more than ten years working experiences in frequency inverters field.
- Good management of software core algorithm.
- Better knowledge and experiences for variable applications.
- Strong ability for customized functions design.
- Young team, dynamic, motivated.
- Market-oriented developing.

Jintian Management Idea



- ※ Jintian's just like a ball on the slope.
- ※ Innovation is the power to pull the ball to go up.
- ※ Delicacy management is the inverse power to prevent the ball going down.

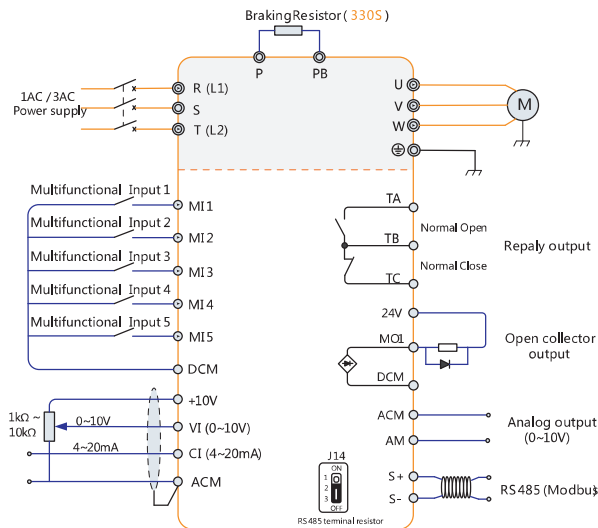
Delicacy Management

||

Detail Management + 100% Executive Ability



- Input & Output delay.
- Flexible parameter display.
- Timing control, fixed length control, etc.
- Simple PLC, 16-steps speed control.
- S curve acceleration / deceleration.
- Multi-functional programmable keypad.
- Robust design, failure ratio < 1%.



Your Unique Choice For Automation Technology

330S economical series frequency inverters are special designed for small power applications, from 0.4~7.5kW.

Specifications

Input & Output	
Input voltage	1AC 220~240V (± 15%) 3AC 220~240V (± 15%) 3AC 380~460V (± 15%)
Input frequency	50Hz/60Hz ± 5%
Output voltage	0~input voltage deviation < ± 3%
Output frequency	0~ 600Hz

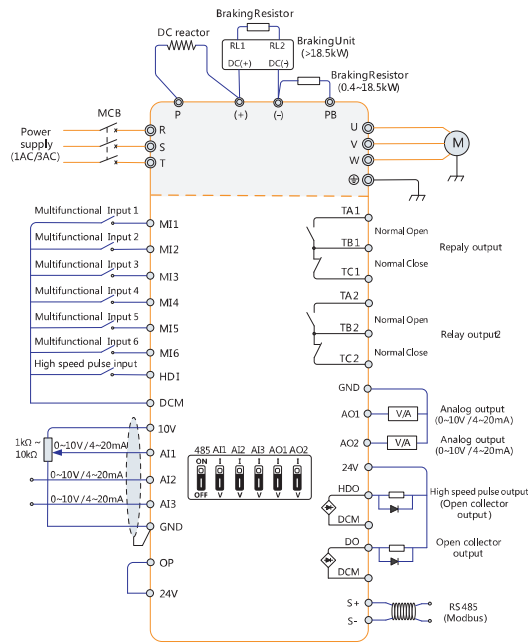
Control Characteristics	
Control mode	V/f control Sensor-less vector control
Speed accuracy	± 0.5% (V/f) ± 0.2% (SVC)
Speed fluctuation	± 0.3% (SVC)
Torque response	< 10ms (SVC)
Starting torque	0.5Hz: 180% (V/f) 0.25Hz: 180% (SVC)
Overload capability	150% Rated Current 60s, 180% Rated Current 10s, 200% Rated Current 1s.
Simple PLC, Multi-step speed	16 steps speed
PID function	Standard build-in
Communication	Modbus

Selection

Model	Output power (kW)	Input current (A)	Output current (A)	Size & Weight
330S-KA0004M1	0.4	5.4	2.3	142*85.5*113mm 1.1kg
330S-KA0007M1	0.75	8.2	4	
330S-KA0015M1	1.5	14	7	
330S-KA0007M3	0.75	3.4	2.1	
330S-KA0015M3	1.5	5.0	3.8	152*101*117mm 1.5kg
330S-KA0007G1	0.75	8.2	4.0	
330S-KA0015G1	1.5	14	7	
330S-KA0022G1	2.2	23	9.6	
330S-KA0007G2	0.75	5.1	4.0	264*130*153.5mm 3.5kg
330S-KA0015G2	1.5	9.0	7.0	
330S-KA0022G2	2.2	12	9.6	
330S-KA0040G2	4.0	21	17	
330S-KA0007G3	0.75	3.4	2.1	152*101*117mm 1.5kg
330S-KA0015G3	1.5	5.0	3.8	
330S-KA0022G3	2.2	5.8	5.1	
330S-KA0040G3	4.0	10.5	9.0	
330S-KA0055G3	5.5	14.6	13	264*130*153.5mm 3.5kg
330S-KA0075G3	7.5	20.5	17	



- General purpose frequency inverter
- V/f, Sensorless Vector Control (SVC)
- C3 level EMC filter build-in
- Smart start / stop function
- Robust design, high overload capacity
- Abundant input & output terminals
- Onsite failure ratio < 1%



Your Unique Choice For Automation Technology

Specifications

Input & Output	
Input voltage	1AC 220-240V(± 15%) 3AC 220-240V(± 15%) 3AC 380-460V(± 15%)
Input frequency	50Hz/60Hz ± 5%
Output voltage	0 - input voltage, deviation < ±3%
Output frequency	0 - 600Hz
Control Characteristics	
Control mode	V/f control Sensor-less vector control Torque control
Speed accuracy	± 0.5% (V/f) ± 0.2% (SVC)
Speed fluctuation	± 0.3% (SVC)
Torque response	< 10ms(SVC)
Starting torque	0.5Hz: 180% (V/f) 0.25Hz: 180% (SVC)
Overload capability	150% Rated Current 120s, 160% Rated Current 60s 180% Rated Current 10s, 200% Rated Current 3s.
Simple PLC, Multi-step speed	16 steps speed
PID function	Standard build-in
Communication	Modbus

Featured functions

Featured functions	
Input & Output delay	
Smart start /stop function	
C3 level EMC filter inside	
Flexible parameters display	
AVR (Automatic Voltage Regulation)	
Timing control, fixed length control, etc.	
Simple PLC, 16-steps speed control	
Torque control build-in	
S curve acceleration/deceleration	
Multi-functional programmable keypad	
V/f separated control	

Environment requirements

Environment requirements	
Installation location	Without direct sunlight, free from dust, corrosive gases, oil mist, flammable gases, water vapor, water drop and salt, etc.
Altitude	0- 2000m Derated 1% for every 100m when the altitude is above 1000meters
Ambient temperature	-10°C - 50°C
Storage temperature	-20°C - +60°C
Relative humidity	5- 95%, no condensation



> Features of 330

C3

★ EMC Filter

C3 level filter build-in standardly
Better EMC performance

0s

★ ACC /DEC time

Smart start/stop function
ACC/DEC time can be set as 0s
Start/stop the motor in shortest time

S
curve

★ S Curve

S curve acceleration/deceleration
Better start/stop performance



★ Keypad

Detachable
Standard internet cables used
35 meters can be extended
Two lines display (>7.5kW)

200%

★ Overload capacity

150% for 120 seconds
160% for 60 seconds
180% for 10 seconds
200% for 1 seconds

50°C

★ Ambient temperature

Without derating up to 50°C
Robust design
Optimized cooling system

Flying
start

★ Flying start function

Restart the running motor smoothly
No current surge
High accuracy



★ IGBT

Selection of large margin
Current > 2 times of inverter current

180%

★ Start torque

0.5Hz/150% (V/f)
0.25Hz/180% (SVC)

± 15%

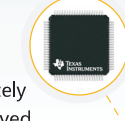
★ Input voltage fluctuation

Flexible with big voltage fluctuation
Motor runs stably, high reliability

V/f
Separate

★ V/f separate function

Output voltage & current can be set separately
Different types of power supply can be achieved



★ CPU

Latest technology of TI
High speed
High performance
High reliability



Your Unique Choice For Automation Technology

Selection Guide

330 - 0007 G3

Master series code of product
330 : General purpose high performance frequency inverter.

Input voltage
1: 220~240V
3: 380~460V

Rated power
0007 : 0.75 kW
0185 : 18.5 kW
1600 : 160 kW

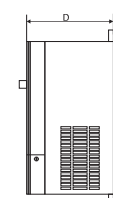
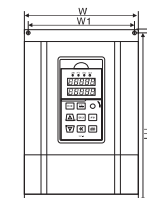
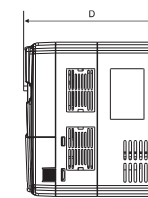
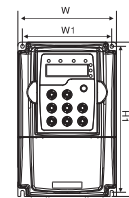
Input phase
M: Economic type
G: General type

Model	Output power (kW)	Input current (A)	Output current (A)	Size (H*W*D) Weight
330-K0004G1	0.4	5.4	2.3	185*118*172.9mm 2.4kg
330-K0007G1	0.75	8.2	4.0	
330-K0015G1	1.5	14.0	7.0	
330-K0022G1	2.2	23	9.6	
330-K0007G3	0.75	4.5	2.8	
330-K0015G3	1.5	5.7	4.4	
330-K0022G3	2.2	6.6	5.8	255*150*180mm 3.6kg
330-K0040G3	4.0	11.6	10	
330-K0055G3	5.5	14.6	13	
330-K0075G3	7.5	20.5	17	375*210*196mm 9kg
330-K0110G3	11	26	25	
330-K0150G3	15	35	32	
330-K0185G3	18.5	38.5	37	

Model	Output power (kW)	Input current (A)	Output current (A)	Size & Weight
330-K0220G3	22	46.5	45	417*252*208mm 15kg
330-K0300G3	30	62	60	
330-K0370G3	37	76	75	
330-K0450G3	45	92	90	600*385*267.7mm 39kg
330-K0550G3	55	113	110	
330-K0750G3	75	157	152	659*413*327mm 54kg
330-K0900G3	90	180	176	
330-K1100G3	110	214	210	
330-K1320G3	132	256	253	
330-K1600G3	160	307	304	
330-K1850G3	185	348	340	849*480*389mm 110kg
330-K2000G3	200	388	380	1060*650*380.5mm 171kg
330-K2200G3	220	430	426	
330-K2500G3	250	468	465	
330-K2800G3	280	525	520	
330-K3150G3	315	590	585	1361.5*800*393mm 262.6 kg
330-K3550G3	355	665	650	
330-K4000G3	400	785	725	1531.5*1030*453mm 370kg
330-K4500G3	450	883	820	
330-K5000G3	500	960	900	
330-K5600G3	560	1060	1010	
330-K6300G3	630	1150	1100	

★ Please refer to user manual for 330 3AC 220V selection.

Dimensions



Model	H	W	D	H1	W1
330-K0004G1	185	118	172.9	175	107
330-K0007G1					
330-K0015G1					
330-K0022G1					
330-K0007G3					
330-K0015G3					
330-K0022G3					
330-K0040G3					
330-K0055G3					
330-K0075G3					
330-K0110G3	255	150	180	242	137

Model	H	W	D	H1	W1	Aperture
11~18.5kW	375	210	196	362.5	160	7
22~37kW	417	252	208	394	201	9
45~55kW	600	385	267.7	580	260	10
75~110kW	659	413	327	635	293	12
132~185kW	849	480	389	822.5	369	12
200~280kW	1060	650	380.5	1030	420	12
315~450kW	1361.5	800	393	1300	520	16
500~630kW	1531.5	1030	453	1470	800	16



Your Unique Choice For Automation Technology

Typical Applications



Printing & Dyeing



Packing Machine



Wire Drawing Machine



Water Supply



Motor Control



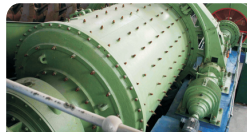
Construction Hoist



Textile



Industrial Washing Machine



Ball Mill

Jintian AC drives' performance in some typical applications

No.	Load Category	Details of Load	Requests	Features of Jintian VFD
1	CNC machine	Grinding machine, cutting	High output torque at low frequency, high speed accuracy	High control accuracy
2	Highspeed puncher	Smithing, punching press	High speed accuracy, good stop performance	Fast response
3	Stone machinery	Stone cutting machine, stone grinding machine	Large inertia, braking unit and resistors are necessary	Running stable
4	Washing machine	Industrial washing machine	Multi-step speed, high output torque while washing, short stop time	Multi-step speed running, fast stop
5	Wire drawing machine	Different types of wire drawing machines, winder	Heavy load, high torque at low frequency	High output torque at low frequency
6	Printing machine	Screen printing	High speed accuracy, good stop performance, continuous FWD/REV running	Good stop performance, running stable
7	Ball mill	Cement plant ball mill, Ceramics ball mill	Bad ambient environment, big start current	Good start performance, high energy saving ratio
8	Windlass	Winding and unwinding	Heavy load	High output torque at low frequency
9	Crusher machine	Stone and mine	Heavy load, energy saving, start smoothly	High output torque at low frequency, high energy saving ratio, running stable
10	Carving machine	Wood carving and stone carving machine	Multi-step speed	Fast response
11	Fans	Different types of fans	Different requests ACC/DEC time, speed tracking start.	High energy saving ratio Reliable flying start
12	Pumps	Different types of pumps	1. PID is necessary for constant pressure water supply. 2. Output reactor is necessary while motor cable is too long. 3. For heavy load pump, VFD should be selected in a higher size.	PID control, running stable
13	Air compressor	Different types of air compressor	PID control, low frequency limitation is about 22-25Hz	Running stable, high energy saving ratio
14	Transmission equipment	Factory assembly line, conveyer etc.	Basic speed adjust, working smooth with control system	Running stable
15	Mixing equipment	Wind dispersing machine, mixers	For the big dynamic viscosity material system, VFD should be selected in a higher size.	High output torque at low frequency