



Reducer performance data

Specification		Stage	Ratio	YADR047	YADR064	YADR090	YADR110	YADR140	YADR200	YADR255	
Rated output torque T_{2N}	Nm	1	4	19	48	130	270	560	1,100	1,700	
			5	22	60	160	330	650	1,200	2,000	
			7	19	50	140	300	550	1,100	1,800	
			10	14	40	100	230	450	900	1,500	
			14	-	42	140	300	550	1,100	1,800	
			20	-	40	100	230	450	900	1,500	
		2	20	19	-	-	-	-	-	-	-
			25	22	60	160	330	650	1,200	2,000	
			35	19	50	140	300	550	1,100	1,800	
			40	19	48	130	270	560	1,100	1,700	
			50	22	60	160	330	650	1,200	2,000	
			70	19	50	140	300	550	1,100	1,800	
			100	14	40	100	230	450	900	1,500	
			140	-	-	140	300	550	1,100	1,800	
200	-	-	100	230	450	900	1,500				
The maximum output torque T_{2B}	Nm	1,2	4~200	Three times than rated output torque							
Rated input speed n_{1N}	rpm	1,2	4~200	5,000	5,000	4,000	4,000	3,000	3,000	2,000	
Max. input speed n_{1B}	rpm	1,2	4~200	10,000	10,000	8,000	8,000	6,000	6,000	4,000	
Ultra-precision backlash PO	arcmin	1	4~20	-	-	≤2	≤2	≤2	≤2	≤2	
		2	25~200	-	-	≤4	≤4	≤4	≤4	≤4	
Precision Backlash P1	arcmin	1	4~20	≤4	≤4	≤4	≤4	≤4	≤4	≤4	
		2	25~200	≤7	≤7	≤7	≤7	≤7	≤7	≤7	
Standard Backlash P2	arcmin	1	4~20	≤6	≤6	≤6	≤6	≤6	≤6	≤6	
		2	25~200	≤9	≤9	≤9	≤9	≤9	≤9	≤9	
Torsional stiffness M_{2KB}^2	Nm/arcmin	1,2	4~200	7	13	31	82	151	440	1,006	
The maximum bending torque	Nm	1,2	4~200	42.5	125	235	430	1,300	3,064	5,900	
Permissible axial force F_{2B}^2	N	1,2	4~200	1,080	2,110	2,310	4,800	6,200	5,450	10,600	
Lifetime	hr	1,2	4~200	30,000*							
		1	4~20	≥95%							
Efficiency η	%	2	25~200	≥92%							
		1	4~20	1.1	2.1	5.9	10.5	21.9	50.9	85.4	
Weight	kg	2	25~200	1.4	1.9	4.5	9.8	20.1	45.4	85.9	
		1,2	4~200	-10°C~+90°C							
Lubricating		1,2	4~200	(NYOGEL 792D)							
Protection class		1,2	4~200	IP65							
Mounting Direction		1,2	4~200	Any direction							
Noise level ($n_1=3,000\text{rpm}$)	dB	1,2	4~200	≤61	≤63	≤65	≤68	≤70	≤72	≤74	

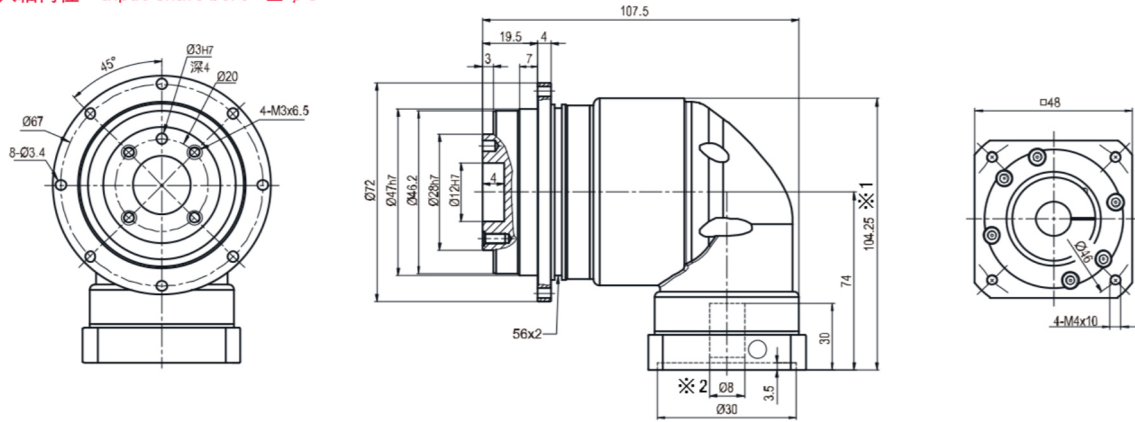
Specification		Stage	Ratio	YADR047	YADR064	YADR090	YADR110	YADR140	YADR200	YADR255
Moment of inertia J_1	kg · cm ²	1	4~10	0.09	0.35	2.25	6.84	23.4	68.9	135.4
			14	-	0.07	1.87	6.25	21.8	65.6	119.8
			20	-	0.07	1.87	6.25	21.8	65.6	119.8
		2	20	0.09	-	-	-	-	-	-
			25~100	0.09	0.09	0.35	2.25	6.84	23.4	68.9
			140~200	-	-	0.31	1.87	6.25	21.8	65.6



YADR 外形尺寸图表 / OUTLINE DIMENSION SHEET

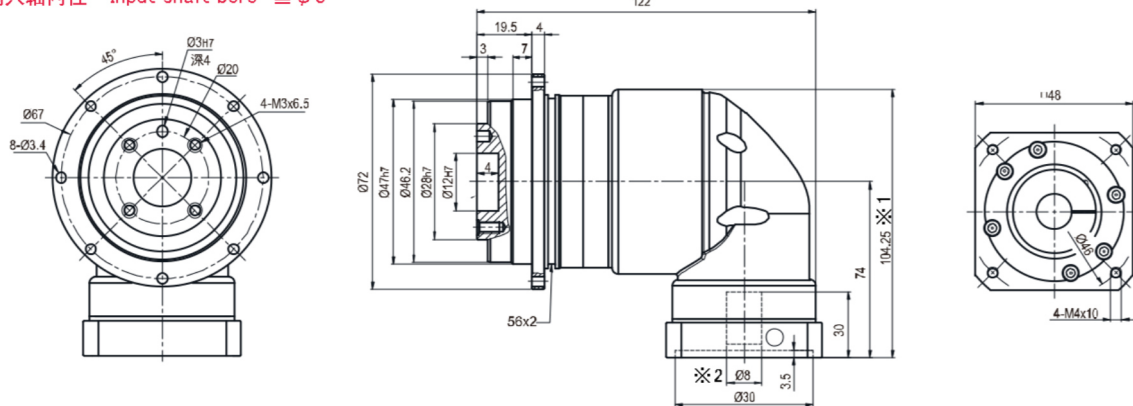
YADR-047-L1

输入轴内径 Input shaft bore $\leq \phi 8$



YADR-047-L2

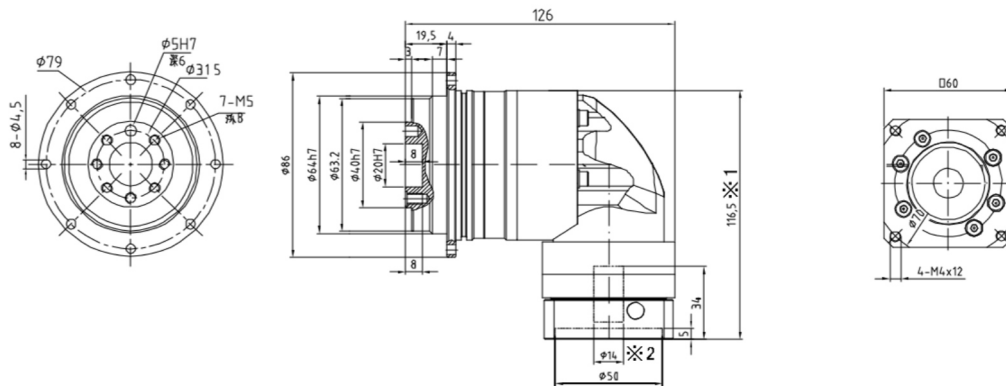
输入轴内径 Input shaft bore $\leq \phi 8$



- ※ 1 视安装马达的不同而有所差异。
- ※ 2 马达轴径与输入轴径不同时，可插入轴套。
- ※ 1 Length will vary depending on motor.
- ※ 2 Bushing will be inserted to adapt to motor shaft.

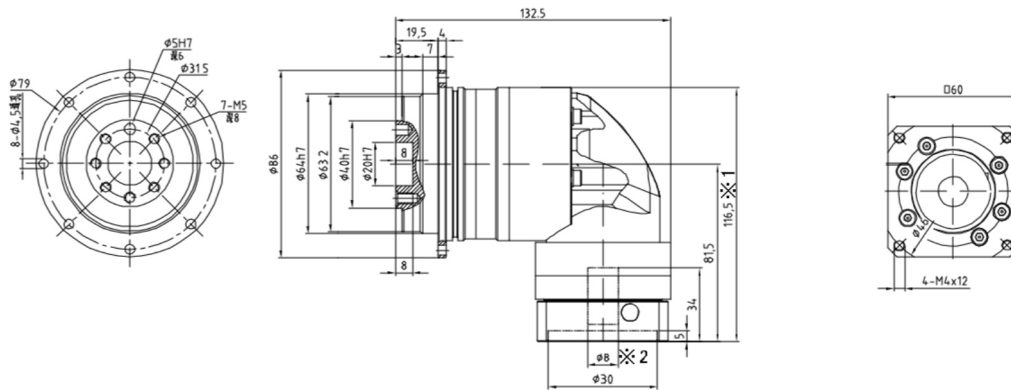
YADR-064-L1

输入轴内径 Input shaft bore $\leq \phi 14$



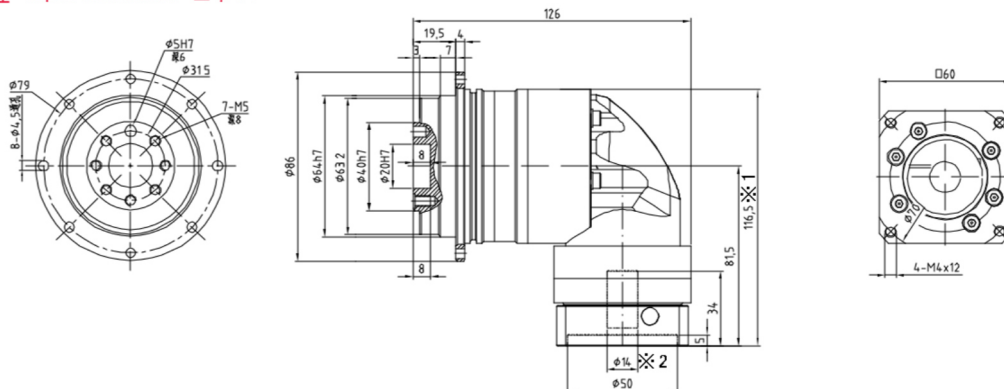
YADR-064-L2

输入轴内径 Input shaft bore $\leq \phi 8$



YADR-064-L2

输入轴内径 Input shaft bore $\leq \phi 14$



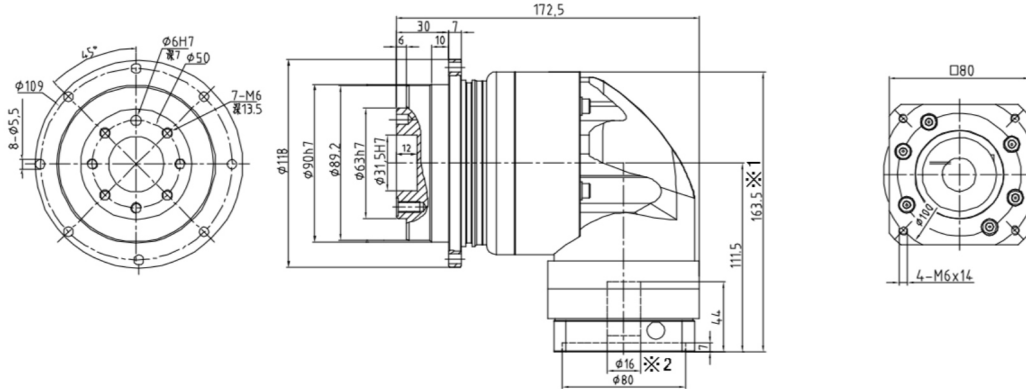
- ※1 视安装马达的不同而有所差异。
- ※2 马达轴径与输入轴径不同时,可插入轴套。
- ※1 Length will vary depending on motor.
- ※2 Bushing will be inserted to adapt to motor shaft.



YADR 外形尺寸图表 / OUTLINE DIMENSION SHEET

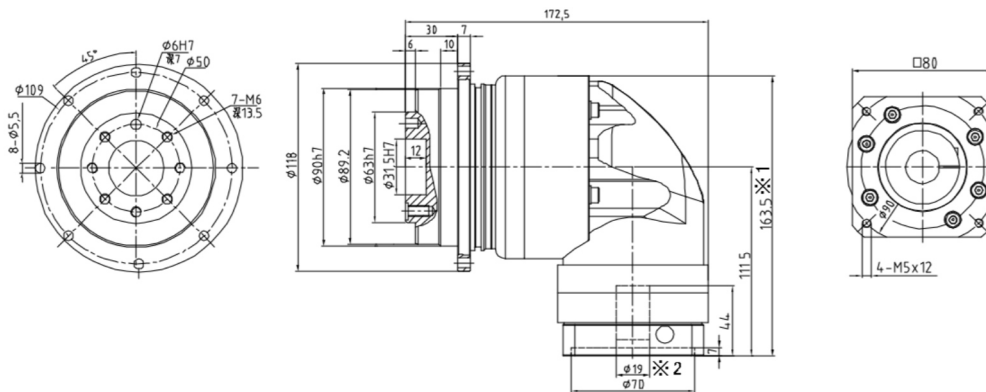
YADR-090-L1

输入轴内径 Input shaft bore $\leq \phi 16$



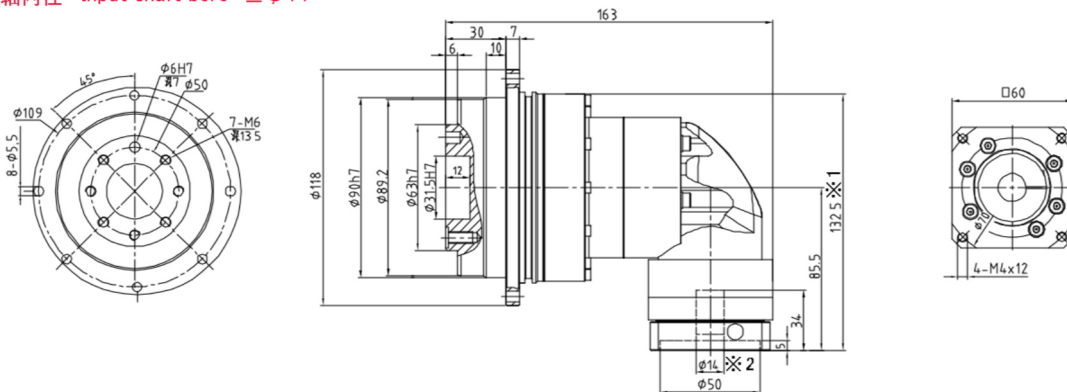
YADR-090-L1

输入轴内径 Input shaft bore $\leq \phi 19$



YADR-090-L2

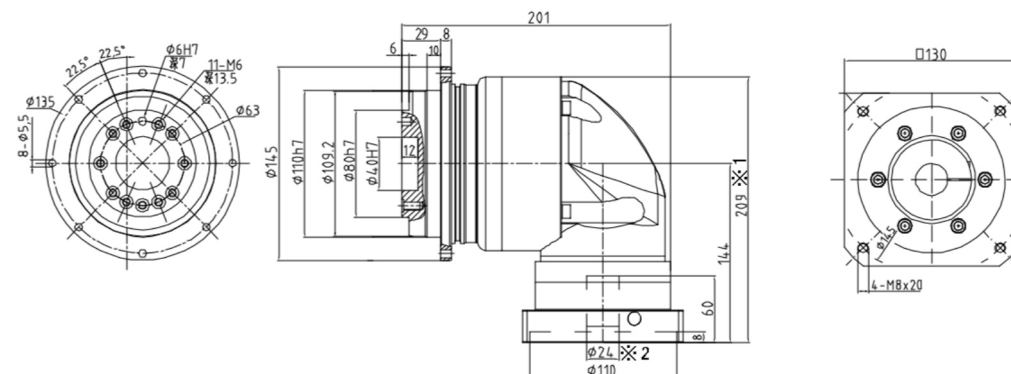
输入轴内径 Input shaft bore $\leq \phi 14$



- ※1 视安装马达的不同而有所差异。
- ※2 马达轴径与输入轴径不同时，可插入轴套。
- ※1 Length will vary depending on motor.
- ※2 Bushing will be inserted to adapt to motor shaft.

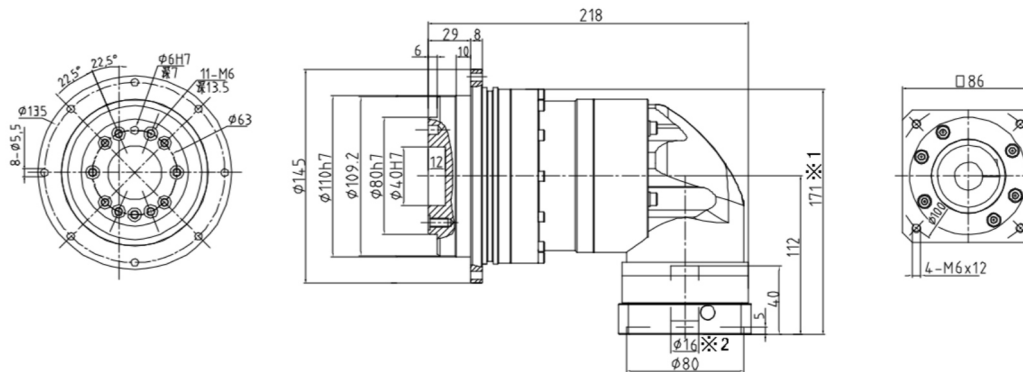
YADR-110-L1

输入轴内径 Input shaft bore $\leq \phi 24$



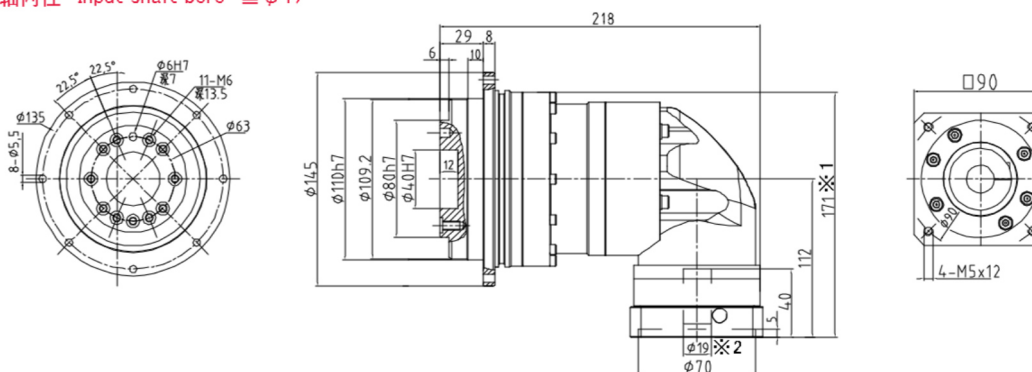
YADR-110-L2

输入轴内径 Input shaft bore $\leq \phi 16$



YADR-110-L2

输入轴内径 Input shaft bore $\leq \phi 19$



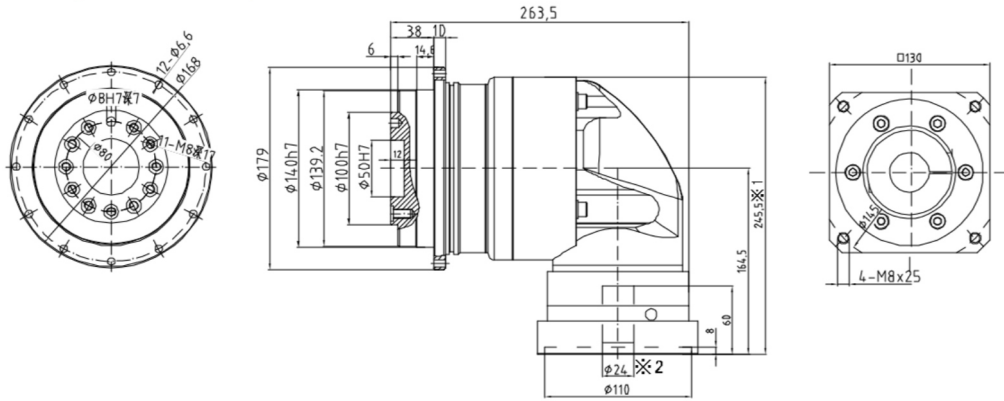
- ※1 视安装马达的不同而有所差异.
- ※2 马达轴径与输入轴径不同时,可插入轴套.
- ※1 Length will vary depending on motor.
- ※2 Bushing will be inserted to adapt to motor shaft.



YADR 外形尺寸图表 / OUTLINE DIMENSION SHEET

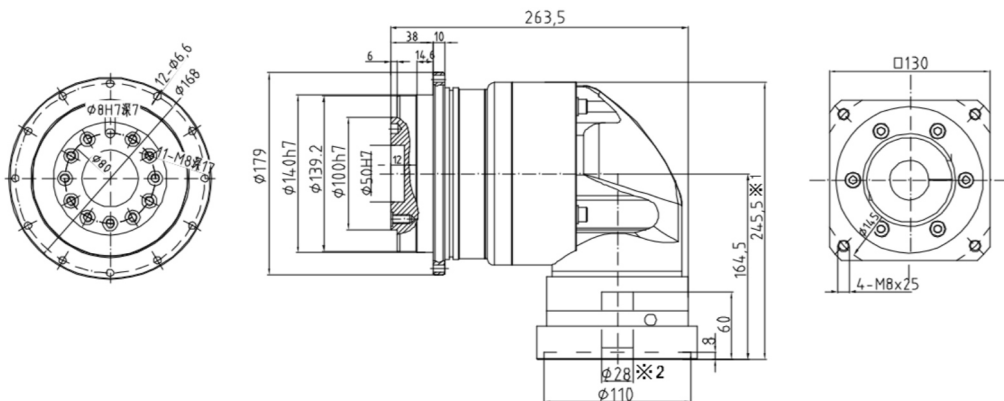
YADR-140-L1

输入轴内径 Input shaft bore $\leq \phi 24$



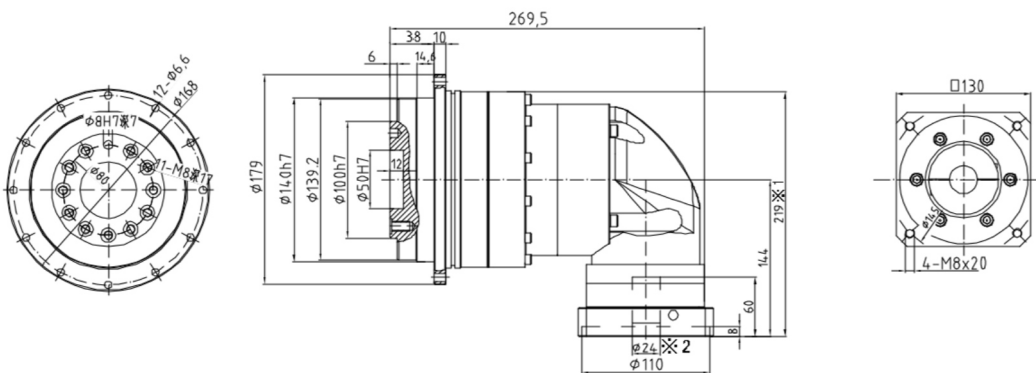
YADR-140-L1

输入轴内径 Input shaft bore $\leq \phi 28$



YADR-140-L2

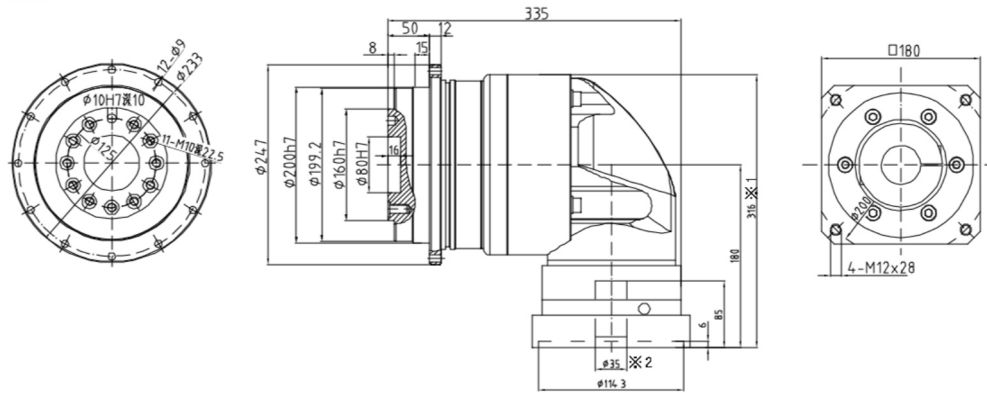
输入轴内径 Input shaft bore $\leq \phi 24$



- ※1 视安装马达的不同而有所差异。
- ※2 马达轴径与输入轴径不同时，可插入轴套。
- ※1 Length will vary depending on motor.
- ※2 Bushing will be inserted to adapt to motor shaft.

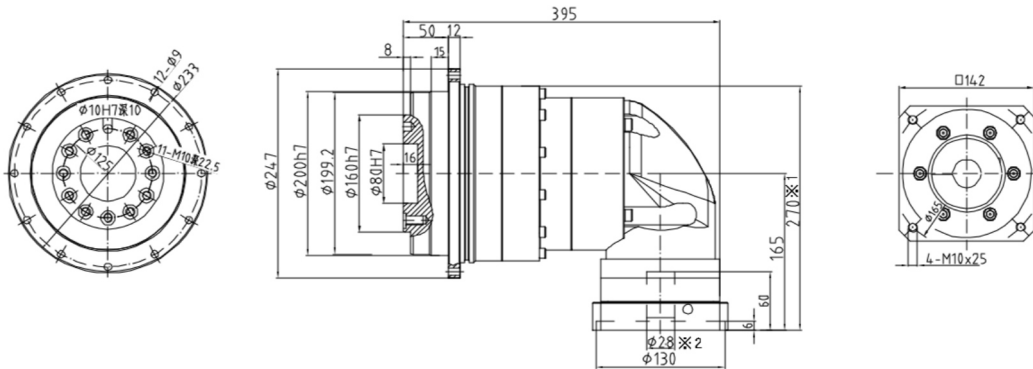
YADR-200-L1

输入轴内径 Input shaft bore $\leq \phi 35$



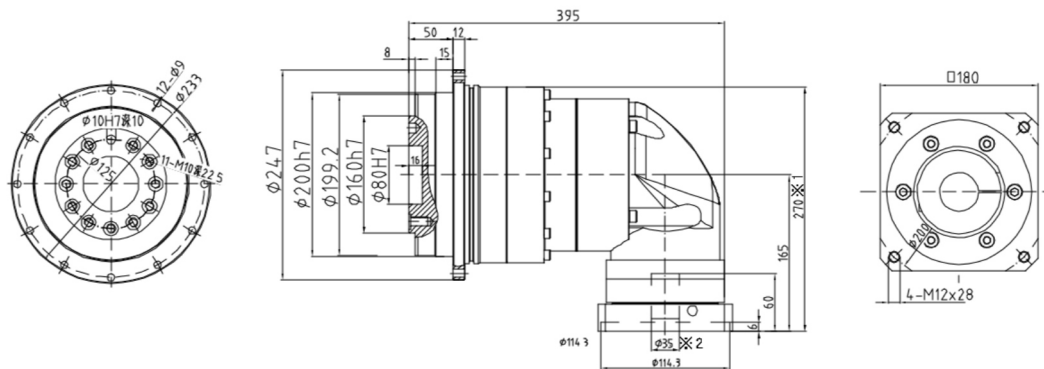
YADR-200-L2

输入轴内径 Input shaft bore $\leq \phi 28$



YADR-200-L2

输入轴内径 Input shaft bore $\leq \phi 35$



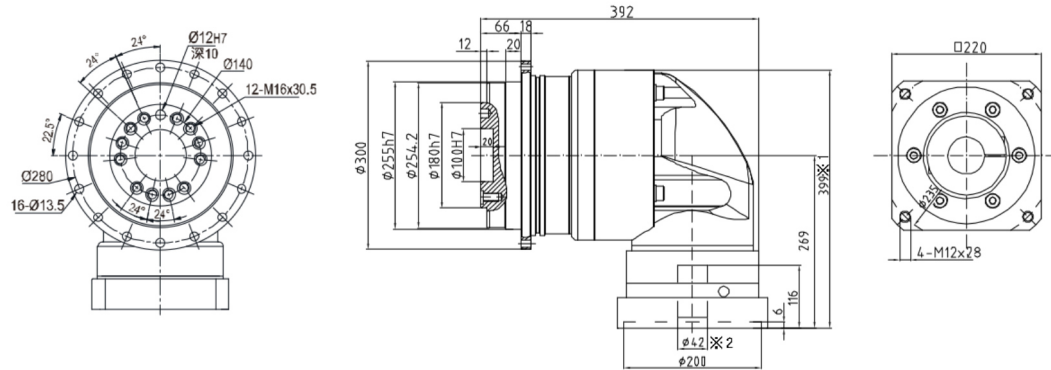
- ※1 视安装马达的不同而有所差异。
- ※2 马达轴径与输入轴径不同时,可插入轴套。
- ※1 Length will vary depending on motor.
- ※2 Bushing will be inserted to adapt to motor shaft.



YADR 外形尺寸图表 / OUTLINE DIMENSION SHEET

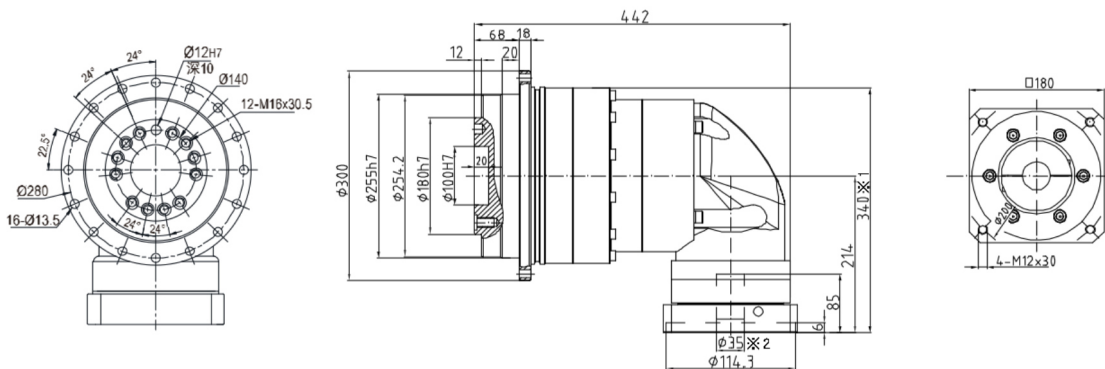
YADR-255-L1

输入轴内径 Input shaft bore $\leq \phi 42$



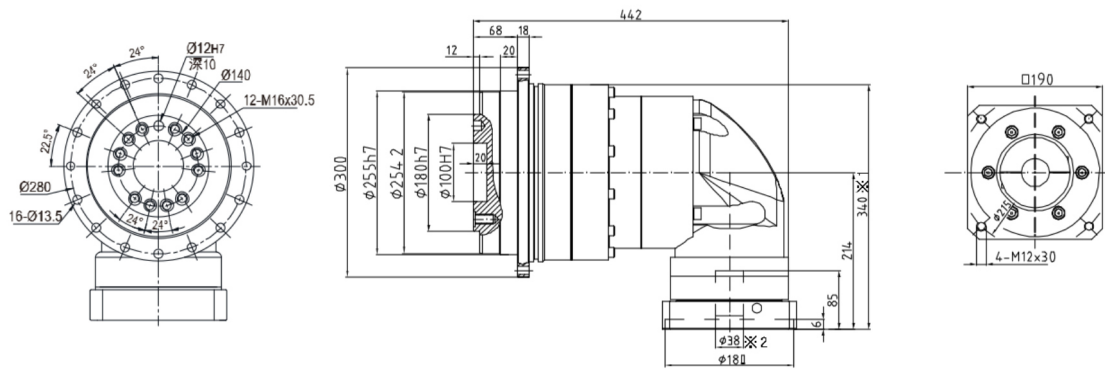
YADR-255-L2

输入轴内径 Input shaft bore $\leq \phi 35$



YADR-255-L2

输入轴内径 Input shaft bore $\leq \phi 38$



- ※1 视安装马达的不同而有所差异。
- ※2 马达轴径与输入轴径不同时，可插入轴套。
- ※1 Length will vary depending on motor.
- ※2 Bushing will be inserted to adapt to motor shaft.