

SF系列面板式调速器

SF series panel drive



● 特点Characteristics

- 采用 MCU 数字控制技术, 功能丰富, 性能优异。
- 采用数显菜单式选项, 修改设定方便快捷。
- 可根据用户显示需要设定显示倍率, 自动换算显示目标值。
- 可实现缓慢加速、缓慢减速。
- 可面板操作、外接开关控制。
- 面板旋钮自动匹配最高转速, 调速控制方便、安全。
- 内置运行电容。
- 堵转保护功能, 防止电机、调速器因堵转烧坏。
(此功能可保护堵转过载, 但无法保护非堵转过载。)

- With MCU digital control technology, it has rich functions and excellent performance.
- Easy to change settings with digital menu options
- The display magnification can be set according to the user's requirement, and the display target value can be automatically converted.
- Slow acceleration and slow deceleration are possible.
- Panel operation, external switch control.
- The panel knob automatically matches the maximum speed, and the speed control is convenient and safe.
- Built-in capacitor.
- The stall protection function prevents the motor and drive from being burnt out due to blockage.
(This function protects against stalled overload but does not protect against non-blocking overload.)

● 型号列表Model array table

类别 category	电源电压 voltage	SF 系列面板式调速器 SF series panel drive		SK 系列内置式调速器 SK Series built-in drive	
		220V	110V	220V	110V
电机功率 Power					
6W		SF06E	SF06A	SK200E	SK200A
15W		SF15E	SF15A		
25W		SF25E	SF25A		
40W		SF40E	SF40A		
60W		SF60E	SF60A		
90W		SF90E	SF90A		
120W		SF120E	SF120A		
200W		SF200E	SF200A		

● 型号命名方法Model naming method

● 面板式 panel type

SF	<input type="checkbox"/>	<input type="checkbox"/>	E	<input type="checkbox"/>
①	②	③	④	
①	名称代号 Name code		面板式调速 panel drive	
②	适用调速电机功率代号 Applicable speed motorPower code		6W ~ 200W	
③	电源电压 Voltage		E(单相 single phase 220V) A(单相 single phase 220V)	
④	派升代号 Promotion code			

● 内置式 built-in

SK	200	E	<input type="checkbox"/>
①	②	③	④
①	名称代号 Name code		面板式调速 panel drive
②	适用调速电机功率代号 Applicable speed motorPower code		6W ~ 200W
③	电源电压 Voltage		E(单相 single phase 220V) A(单相 single phase 220V)
④	派升代号 Promotion code		

● 性能参数表 Performance parameter table

型号 Model	SF □□ E	SF □□ A	SK200E	SK200A
安装方式 Install method	面板式 panel type		内置式 built-in	
电源电压 Voltage	单相 single phase 220V	单相 single phase 110V	单相 single phase 220V	单相 single phase 110V
电源频率 Power frequency	50/60HZ			
适用电机类型 Motor type	YT 系列调速电机, YT Series speed motor			
运行电容 Capacitor	内置式 (内置于调速器内) built-in		外置 (放置于调速电机包装内, 需用户自行连接) External (placed in the speed motor package, users need to connect themselves)	
运动控制功能 Motion control function	面板或外接开关运转控制, 调速, 缓慢加速, 缓慢减速 Panel or external switch operation control, speed control, Slow acceleration, slow deceleration		外接开关运转控制, 调速, 缓慢加速, 缓慢减速, 快速停止 4 段速 External switch operation control, speed control, Slow acceleration, slow deceleration, fast stop, 4 speed stage	
速度调节方式 Speed adjustment method	面板“▲”“▼”键; panel key 面板旋钮 panel knob		面板“▲”“▼”键; panel key 面板旋钮 panel knob; 0 ~ 10V 模拟量 Analog quantity	
调速范围 Speed range	90-3000r/min。(用户可根据电机极数、电源频率、使用需要设定) Users can set according to the number of motor poles, power frequency, and usage requirements)			
适用环境 Applicable environment	环境温度 Ambient temperature: -10℃ ~ +45℃ (无结冰 No icing) 环境湿度 Ambient humidity: 85%以下 (无结露) No condensation			

● SF系列面板式驱动器接线图 SF series panel drive diagram

● 操作面板按钮控制电机运转

- 1) 无需安装 K1、K2 开关。
- 2) 菜单设置: 运转控制方式 F-03 选择 "1" 或 "4" 操作面板按钮控制。
调速电机的功率必须与调速器适用电机功率一致。
电源电压必须与调速器电源电压规格一致。OF 为断路器, 在发生短路时保护调速器和调速电机。

Operator panel buttons control motor operation

- 1) no need to install the K1 and K2 switches.
- 2) Menu Settings: Operation control mode F-03 select "1" or "4" operator panel button control.
The power of the adjustable speed motor must be the same as motor power of the drive.
The power supply voltage must match the drive supply voltage specifications. OF is a circuit breaker that protects the drive and the speed control motor in the event of a short circuit.

● 外接开关 K1、K2 控制电机运转

- 1) 必须安装 K1、K2 开关。
- 2) 菜单设置: 运转控制方式 F-03 选择 "2" 或 "3" 外接开关控制。
请注意核对调速器型号标签功率是否与电机功率一致。

External switches K1, K2 control motor operation

- 1) install the K1 and K2 switches
- 2) Menu Settings: Operation control mode F-03 select "2" or "3" external switch control.
Please check that the drive model label power is consistent with the motor power.

● QF 断路器电流规格表 QF breaker current specification table:

电源电压 Voltage	电机功率 power	QF 电流规格 QF current specification
220V	6 ~ 90W	1A
220V	120 ~ 200W	2A
110V	6 ~ 90W	2A
110V	120 ~ 200W	4A

● FWO、REV 采用 PLC 可编程控制器控制

PLC 输出方式: NPN 或漏型晶体管输出。
FWO、REV with pLc Program with controller to control
plc output method :NPN or Sink transistor output

● FWO、REV 采用接近开关、光电开关等传感器控制

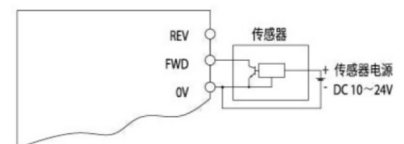
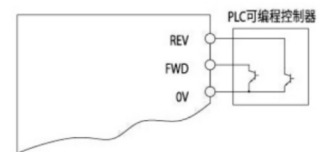
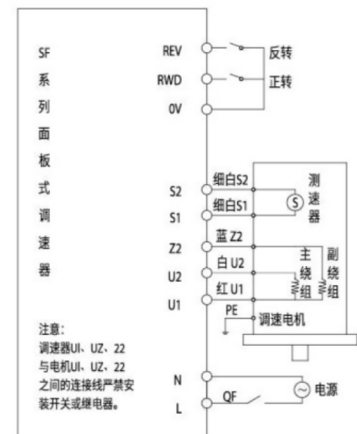
开关输出方式: 三线式 NPN 晶体管输出。
FWO, REV use proximity sensor, photoelectric switch and other sensor control.
Switch output mode: Three-wire NPN transistor output.

● 菜单设置

运转控制方式 F-03 选择 "2" 或 "3" 外接开关控制。
Menu Settings
Run control mode F3 select "2" or "3" external switch control.

● 菜单设置

运转控制方式 F-03 选择 "2" 或 "3" 外接开关控制。
Menu Settings
Run control mode F3 select "2" or "3" external switch control.

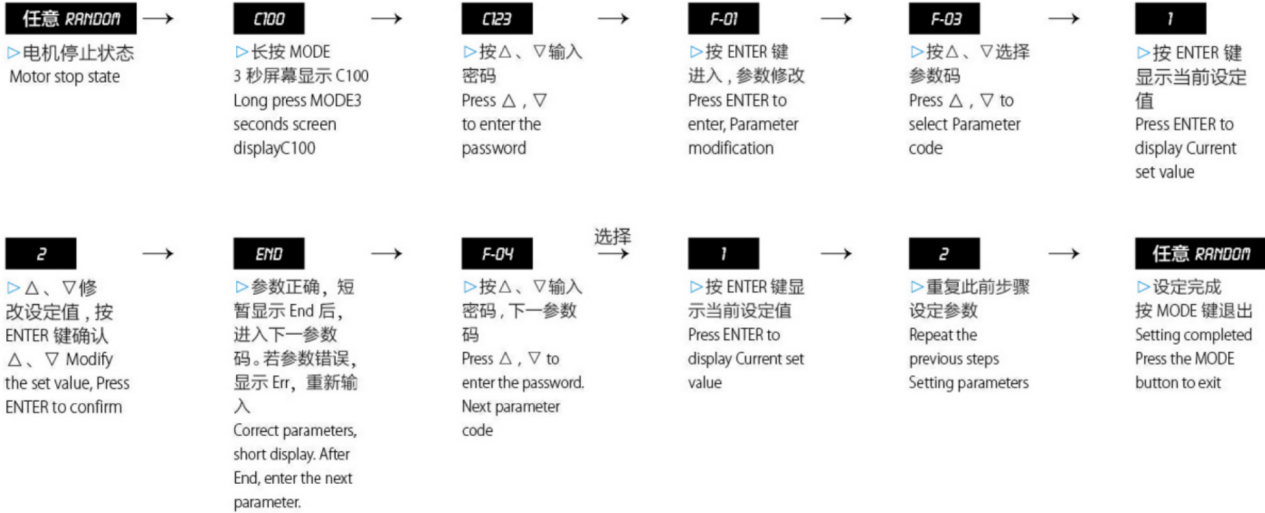


● SF系列面板式调速器菜单 SF series panel governor menu

● 菜单修改 Menu modification

注意：为保证安全，F-05、F-29 参数修改必须在电机停止状态下进行，否则无法设置，屏幕显示 Err。

Note: In order to ensure safety, the parameters of F-05 and F-29 must be modified while the motor is stopped. Otherwise, it cannot be set. The screen displays Err.



● SF 系列面板式驱动器菜单清单 SF Series Panel Drive Menu List

参数码 Parameter code	参数功能 Parameter function	设定范围 setting area	功能说明 Function Description	出厂设定值 Factory setting	用户设定值 User setting
F-01	显示内容 Display content	1. 电机转速设定值 2. 倍率转速设定值 1. Motor speed setting 2. Rate of rotation setting	倍率转速设定值 = 电机转速设定值 + 倍率 Multiplying speed setting value = motor speed setting value + magnification	1	
F-02	倍率设定 Magnification setting	1.0 ~ 999.9	根据显示直观性需要设定，显示目值。 The target value is displayed according to the display intuitiveness setting.	1	
F-03	运转控制方式 Operation control method	1. 操作面板按钮控制、无记忆 2. 外接开关控制，面板 STOP 键无效 3. 外接开关控制，面板 STOP 键有效 4. 操作面板按钮控制、有记忆 1. Operation panel button control, no memory. 2. External switch control. Panel STOP button is invalid. 3. External switch control, panel STOP button is valid. 4. Operation panel button control, with memory.	选择 "1" 由面板按钮控制电机，关闭调速器电源后再次打开电源，调速器不记忆关电前的运转状态。重新上电电机为停止状态。 选择 "4" 调速器记忆关电前的运转状态，重新上电后电机为上次关电前的状态，例如：关电前电机正转，再次上电电机立即正转。选择此功能。请注意安全！ 选择外接开关控制时，由 FWD、REV 外接开关 K1、K2 控制电机。 Select "1" to control the motor by the panel button, turn off the power of the governor and turn it on again. The governor does not remember the operating state before the power is turned off. The power-on motor is stopped. Select the "4" governor to remember the operating state before the power is turned off. After the power is turned back on, the motor is in the state before the last power-off. For example, the motor rotates forward before the power is turned off, and the motor immediately turns forward again. Select this feature. Please be careful! When selecting an external switch control. By FWD、REV external switch. K1, K2 control the motor.	1	
F-04	旋转方式 Rotation mode	1. 允许正反转 2. 允许正转，禁止反转 3. 允许反转，禁止正转 1. Allow positive and negative reversal. 2. Allow forward rotation, prohibit reverse rotation. 3. Allow reverse, prohibit forward rotation.	限制电机旋转方向。防止设备故障或事故。 Limit the direction of motor rotation. Prevent equipment failure or accidents.	1	
F-05	旋转方向 rotation direction	1. 不取反；2. 取反 1, Don't reverse; 2. Invert	无需改变电机接线，轻而易举改变电机转向，使之与习惯成要求一致。 easy to change the motor steering without changing the motor wiring. Make it consistent with the customary requirements.	1	

参数码 Parameter code	参数功能 Parameter function	设定范围 setting area	功能说明 Function Description	出厂设定值 Factory setting	用户设定值 User setting
F-06	速度调整方式 Speed adjustment method	1. 面板▲▼按键 Panel ▲▼ button	按▼▲按钮在最低至最高转速范围内,调整电机转速面板旋钮自动匹配0~最高转速。 Press the ▼▲ button to the lowest to maximum speed range. Adjust the motor speed panel knob to automatically match 0 to the maximum speed.	1	
F-07	最高转速 Maximum speed	500 ~ 3000	限制电机最高转速,可防止超速。发生损坏或事故。50Hz 电源最高转速 1400,60Hz 电源最高转速 1600。若最高转速超过以上值。电机将发热、振动。 Limit the maximum speed of the motor to prevent overspeed. Damage or accident has occurred. The maximum speed of the 50Hz power supply is 1400, and the maximum speed of the 60Hz power supply is 1600. If the maximum speed exceeds the above value. The motor will generate heat and vibration.	1400	
F-08	最低转速 Minimum speed	90-1000	限制电机最低转速,可防止电机由于运行于低速导致速度不稳定,过热、过载。 Limiting the minimum motor speed can prevent the motor from being unstable due to running at low speed and overheating, overload.	90	
F-09	正转启动加速时间 Forward rotation acceleration time	0.1 ~ 10.0 秒 seconds	时间长,电机启动平缓,启动时间长;时间短,电机启动快猛,启动时间短。 Long time, motor starting level, long starting time. The time is short, the motor starts fast and the starting time is short.	1.0	
F-10	正转停止方式 Forward stop mode	1. 自由减速停止 2. 缓慢减速停止 1. Free deceleration stop 2. Slowly slow down and stop	当选择自由减速停止时。若电机停止较快,可选择级慢减速停止,改变 F-14 设定值,可改变缓慢减速停止的快慢。 When choosing free deceleration to stop. If the motor stops faster, you can select the stage slow deceleration stop and change the F-14 set value to change the speed of the slow deceleration stop.	1	
F-11	正转停止时缓慢减速时间 When the forward stop Slow deceleration time	0.1 ~ 10.0 秒 seconds	F-10 选择 2 时,菜单有效。 When F-10 selects 2, the menu is valid.	1	
F-12	反转启动加速时间 Reverse start acceleration time	0.1 ~ 10.0 秒 seconds	时间长,电机启动平缓,启动时间长;时间短,电机启动快猛,启动时间短。 Long time, motor starting level, long starting time. The time is short, the motor starts fast and the starting time is short.	1	
F-13	反转停止方式 Reverse stop mode	1. 自由减速停止 2. 缓慢减速停止 1. Free deceleration stop 2. Slowly slow down and stop	当选择自由减速停止时。若电机停止较快,可选择级慢减速停止,改变 F-14 设定值,可改变缓慢减速停止的快慢。 When choosing free deceleration to stop. If the motor stops faster, you can select the stage slow deceleration stop and change the F-14 set value to change the speed of the slow deceleration stop.	1	
F-14	反转停止时缓慢减速时间 Reverse stop Slow deceleration time	0.1 ~ 10.0 秒 seconds	F-13 选择 2 时,菜单有效。 When F-13 selects 2, the menu is valid.	1	
F-29	恢复出厂设定 Restore factory settings	1. 不恢复; 2. 恢复出厂设置 1. Not recovering 2. Restore factory settings		1	
F-30	程序版本 Program Version	代码 + 版本 Code + version		0.1++	

故障报警 Er-1: 1) 过载堵转。

2) 调速器与电机或运行电容的连接异常。

故障处理方式: 1) 检查、排除故障。

2) 重新上电解除报警。

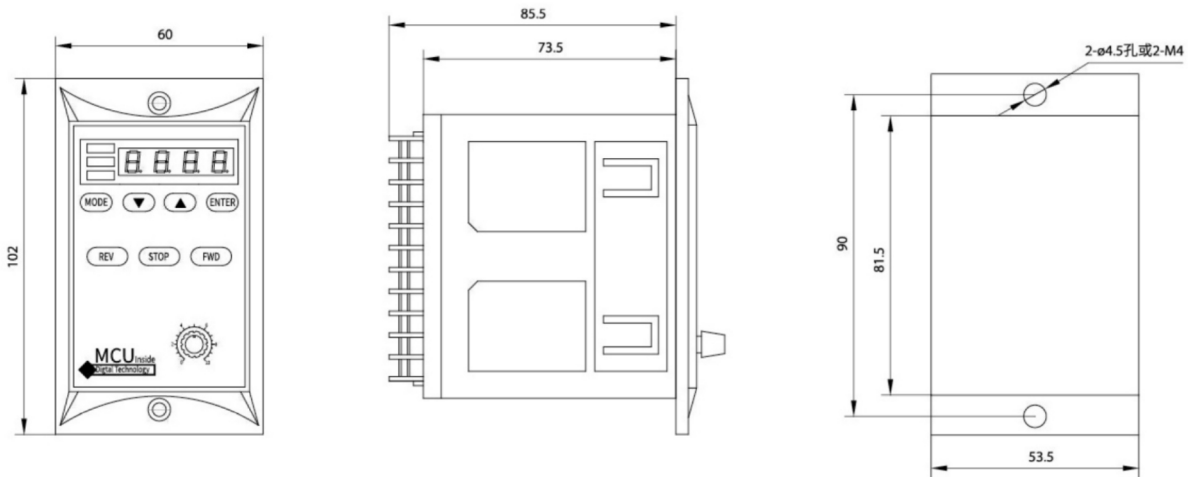
Fault alarm Er-1: 1) Overload blocked.

2) The connection between the governor and the motor or running capacitor is abnormal.

Troubleshooting: 1) Check and troubleshoot.

2) Re-power on to cancel the alarm.

● SF 系列面板式调速器外形及安装图 SF series panel governor shape and installation diagram



使用须知 Terms and Conditions

- 请勿在爆炸性环境、易燃性气体环境、腐蚀性环境以及容易沾上水的场所或可燃物周围使用。
 - 避免连续振动。过度冲击。
 - 电机在正常运转状态下，有时电机外壳表面的温度可能会超过 70℃，因此在可能触及电机的使用环境下请加贴右圈所示的警告标志。
 - 请务必将接地端子接地。
 - 安装、连接、检查等作业须由专业技术人员进行。
-
- Do not use in a fragile environment, an easy-to-existing gas environment, a corrosive environment, or a place where it is easy to get water or a bakeable object.
 - Avoid continuous vibration. Excessive impact.
 - When the motor is in normal operation, sometimes the temperature of the motor casing surface may exceed 70 °C.
 - Therefore, please put the general sign shown on the right circle in the environment where the motor may be touched.
 - Be sure to ground the ground terminal.
 - Installation, connection, inspection, etc. must be carried out by professional technicians.

SFB系列面板式驱动器

SFB series panel drive



● 特点 Characteristics

- 采用 MCU 数字控制技术，功能丰富，性能优异。
- 采用数显菜单式选项，修改设定方便快捷。
- 可根据用户显示需要设定显示倍率，自动换算显示目标值。
- 可实现缓慢加速、缓慢减速、失电电磁制动停止等复杂运动控制。
- 可面板操作、外接开关控制。
- 面板旋钮自动匹配最高转速，调速控制方便、安全。
- 内置运行电容。
- 堵转保护功能，防止电机、调速器因堵转烧坏。
(此功能可保护堵转过载，但无法保护非堵转过载)

- With MCU digital control technology, it has rich functions and excellent performance.
- Easy to change settings with digital menu options.
- The display magnification can be set according to the user's requirement, and the display target value can be automatically converted.
- Slow acceleration and slow deceleration are possible.
- Panel operation, external switch control.
- The panel knob automatically matches the maximum speed, and the speed control is convenient and safe.
- Built-in capacitor.
- The stall protection function prevents the motor and drive from being burnt out due to blockage.
(This function protects against stalled overload but does not protect against non-blocking overload)

● 型号阵列表 Model array table

类别 category	SFB 系列面板式调速器 SF series panel drive		SKB 系列内置式调速器 SKB Series built-in drive		
	电源电压 voltage	220V	110V	220V	110V
电机功率 Power					
15W		SFB15E	SFB15A	SKB200E	SKB200A
25W		SFB25E	SFB25A		
40W		SFB40E	SFB40A		
60W		SFB60E	SFB60A		
90W		SFB90E	SFB90A		
120W		SFB120E	SFB120A		
200W		SFB200E	SFB200A		

● 型号命名方法 Model naming method

● 面板式 panel type

SFB	<input type="checkbox"/>	<input type="checkbox"/>	E	<input type="checkbox"/>
①	②	③	④	
①	名称代号 Name code	面板式调速 panel drive		
②	适用调速电机功率代号 Applicable speed motorPower code	6W ~ 200W		
③	电源电压 Voltage	E(单相 single phase 220V) A(单相 single phase 220V)		
④	派升代号 Promotion code			

● 内置式 built-in

SKB	200	E	<input type="checkbox"/>
①	②	③	④
①	名称代号 Name code	面板式调速 panel drive	
②	适用调速电机功率代号 Applicable speed motorPower code	6W ~ 200W	
③	电源电压 Voltage	E(单相 single phase 220V) A(单相 single phase 220V)	
④	派升代号 Promotion code		

● 性能参数表 Performance parameter table

型号 Model	SFB □□ E	SFB □□ A	SKB200E	SKB200A
安装方式 Install method	面板式 panel type		内置式 built-in	
电源电压 Voltage	单相 single phase 220V	单相 single phase 110V	单相 single phase 220V	单相 single phase 110V
电源频率 Power frequency	50/60HZ			
适用电机类型 Motor type	调速电磁制动电机, Speed regulation electromagnetic brake motor			
运行电容 Capacitor	内置 (内置于驱动器内) built-in		外置 (放置于电机外包装内, 需用户自行连接) External (placed in the speed motor package, users need to connect themselves)	
运动控制功能 Motion control function	面板或外接开关运转控制、调速、缓慢加速、缓慢减速、失电电磁制动停止。 Panel or external switch operation control, speed regulation, slow acceleration, slow deceleration, power failure electromagnetic brake stop		外接开关运转控制、调速、缓慢加速、缓慢减速、4 段速、失电电磁制动停止。 External switch operation control, speed regulation, slow acceleration, slow deceleration, 4-speed, power-off electromagnetic brake stop	
速度调节方式 Speed adjustment method	面板 “▲” “▼” 键; panel key 面板旋钮 panel knob		面板 “▲” “▼” 键; panel key 面板旋钮 panel knob; 0~10V 模拟量 Analog quantity	
调速范围 Speed range	90-3000r/min。(用户可根据电机极数、电源频率、使用需要设定) Users can set according to the number of motor poles, power frequency, and usage requirements)			
适用环境 Applicable environment	环境温度 Ambient temperature: -10℃ ~ +45℃ (无结冰 No icing) 环境湿度 Ambient humidity: 85%以下 (无结露) No condensation			

● SFB系列面板式驱动器接线图 SFB series panel drive diagram

● 操作面板按钮控制电机运转

- 1) 无需安装 K1、K2 开关。
 - 2) 菜单设置: 运转控制方式 F-03 选择 "1" 或 "4" 操作面板按钮控制。
- 调速电机的功率必须与调速器适用电机功率一致。
电源电压必须与调速器电源电压规格一致。OF 为断路器, 在发生短路时保护调速器和调速电机。

Operator panel buttons control motor operation

- 1) no need to install the K1 and K2 switches.
 - 2) Menu Settings: Operation control mode F-03 select "1" or "4" operator panel button control.
- The power of the adjustable speed motor must be the same as motor power of the drive.
The power supply voltage must match the drive supply voltage specifications. OF is a circuit breaker that protects the drive and the speed control motor in the event of a short circuit.

● 外接开关 K1、K2 控制电机运转

- 1) 必须安装 K1、K2 开关。
 - 2) 菜单设置: 运转控制方式 F-03 选择 "2" 或 "3" 外接开关控制。
- 请注意核对调速器型号标签功率是否与电机功率一致。

External switches K1, K2 control motor operation

- 1) install the K1 and K2 switches
 - 2) Menu Settings: Operation control mode F-03 select "2" or "3" external switch control.
- Please check that the drive model label power is consistent with the motor power.

● QF 断路器电流规格表 QF breaker current specification table:

电源电压 Voltage	电机功率 power	QF 电流规格 QF current specification
220V	6 ~ 90W	1A
220V	120 ~ 200W	2A
110V	6 ~ 90W	2A
110V	120 ~ 200W	4A

● FWO、REV 采用 pLc 可编程控制器控制

PLC 输出方式: NPN 或漏型晶体管输出。
FWO、REV with pLc Program with controller to control
plc output method :NPN or Sink transistor output

● FWO、REV 采用接近开关、光电开关等传感器控制

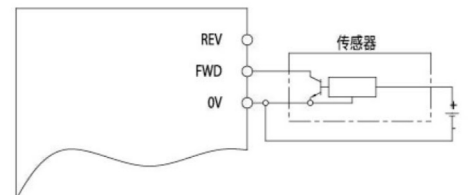
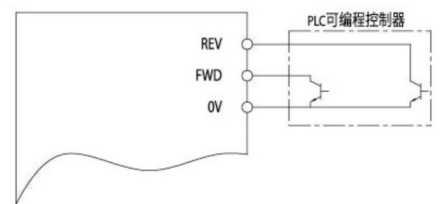
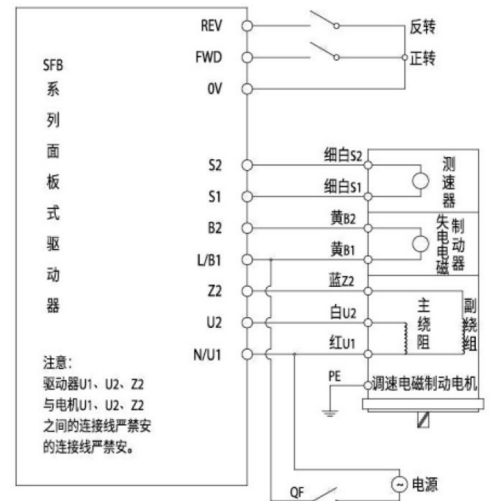
开关输出方式: 三线式 NPN 晶体管输出。
FWO, REV use proximity sensor, photoelectric switch and other sensor control.
Switch output mode: Three-wire NPN transistor output.

● 菜单设置

运转控制方式 F-03 选择 "2" 或 "3" 外接开关控制。
Menu Settings
Run control mode F3 select "2" or "3" external switch control.

● 菜单设置

运转控制方式 F-03 选择 "2" 或 "3" 外接开关控制。
Menu Settings
Run control mode F3 select "2" or "3" external switch control.

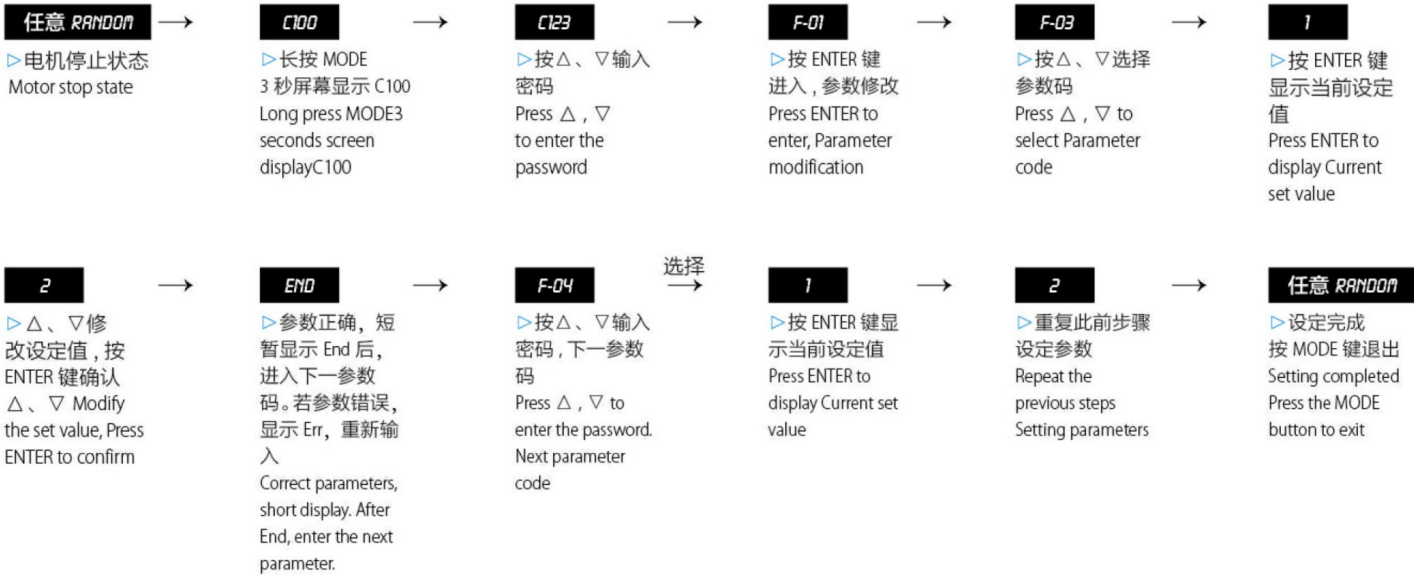


● SFB系列面板式调速器菜单 SFB series panel governor menu

● 菜单修改 Menu modification

注意：为保证安全，F-05、F-29 参数修改必须在电机停止状态下进行，否则无法设置，屏幕显示 Err。

Note: In order to ensure safety, the parameters of F-05 and F-29 must be modified while the motor is stopped. Otherwise, it cannot be set. The screen displays Err.



● SFB 系列面板式驱动器菜单清单

参数码 Parameter code	参数功能 Parameter function	设定范围 setting area	功能说明 Function Description	出厂设定值 Factory setting	用户设定值 User setting
F-01	显示内容 Display content	1. 电机转速设定值 2. 倍率转速设定值 1. Motor speed setting 2. Rate of rotation setting	倍率转速设定值 = 电机转速设定值 + 倍率 Multiplying speed setting value = motor speed setting value + magnification	1	
F-02	倍率设定 Magnification setting	1.0 ~ 999.9	根据显示直观性需要设定，显示目值。 The target value is displayed according to the display intuitiveness setting.	1	
F-03	运转控制方式 Operation control method	1. 操作面板按钮控制、无记忆 2. 外接开关控制，面板 STOP 键无效 3. 外接开关控制，面板 STOP 键有效 4. 操作面板按钮控制、有记忆 1. Operation panel button control, no memory. 2. External switch control. Panel STOP button is invalid. 3. External switch control, panel STOP button is valid. 4. Operation panel button control, with memory.	选择“1”由面板按钮控制电机，关闭调速器电源后再次打开电源，调速器不记忆关电前的运转状态。重新上电电机为停止状态。 选择“4”调速器记忆关电前的运转状态，重新上电后电机为上次关电前的状态，例如：关电前电机正转，再次上电电机立即正转。选择此功能。请注意安全！ 选择外接开关控制时，由 FWD、REV 外接开关 K1、K2 控制电机。 Select "1" to control the motor by the panel button, turn off the power of the governor and turn it on again. The governor does not remember the operating state before the power is turned off. The power-on motor is stopped. Select the "4" governor to remember the operating state before the power is turned off. After the power is turned back on, the motor is in the state before the last power-off. For example, the motor rotates forward before the power is turned off, and the motor immediately turns forward again. Select this feature. Please be careful! When selecting an external switch control. By FWD, REV external switch. K1, K2 control the motor.	1	
F-04	旋转方式 Rotation mode	1. 允许正反转 2. 允许正转，禁止反转 3. 允许反转，禁止正转 1. Allow positive and negative reversal. 2. Allow forward rotation, prohibit reverse rotation. 3. Allow reverse, prohibit forward rotation.	限制电机旋转方向。防止设备故障或事故。 Limit the direction of motor rotation. Prevent equipment failure or accidents.	1	
F-05	旋转方向 rotation direction	1. 不取反；2. 取反 1, Don't reverse; 2. Invert	无需改变电机接线，轻而易举改变电机转向，使之与习惯成要求一致。 easy to change the motor steering without changing the motor wiring. Make it consistent with the customary requirements.	1	

参数码 Parameter code	参数功能 Parameter function	设定范围 setting area	功能说明 Function Description	出厂设定值 Factory setting	用户设定值 User setting
F-06	速度调整方式 Speed adjustment method	1. 面板▲▼按键 Panel ▲▼ button	按▼▲按钮在最低至最高转速范围内,调整电机转速面板旋钮自动匹配0~最高转速。 Press the ▼▲ button to the lowest to maximum speed range. Adjust the motor speed panel knob to automatically match 0 to the maximum speed.	1	
F-07	最高转速 Maximum speed	500 ~ 3000	限制电机最高转速,可防止超速。发生损坏或事故。50Hz 电源最高转速 1400,60Hz 电源最高转速 1600。若最高转速超过以上值。电机将发热、振动。 Limit the maximum speed of the motor to prevent overspeed. Damage or accident has occurred. The maximum speed of the 50Hz power supply is 1400, and the maximum speed of the 60Hz power supply is 1600. If the maximum speed exceeds the above value. The motor will generate heat and vibration.	1400	
F-08	最低转速 Minimum speed	90-1000	限制电机最低转速,可防止电机由于运行于低速导致速度不稳定,过热、过载。 Limiting the minimum motor speed can prevent the motor from being unstable due to running at low speed and overheating, overload.	90	
F-09	正转启动是解除失电电磁制动器后电机延迟启动时间 Forward rotation start is the motor delay start time after the de-energized electromagnetic brake is released.	0.0 ~ 2.0 秒 seconds	若电机启动时速度过冲,可微调加大至 0.1 秒 If the speed is overshooted when the motor starts, the fine adjustment can be increased to 0.1 second.	0.0	
F-10	正转启动加速时间 Forward rotation acceleration time	0.1 ~ 10.0 秒 seconds	时间长,电机启动平缓,启动时间长。 时间短,电机启动快猛,启动时间短。 Long time, motor starting level, long starting time. The time is short, the motor starts fast and the starting time is short.	1.0	
F-11	正转停止方式 Forward stop mode	1. 自由减速停止 2. 缓慢减速停止 1. Free deceleration stop 2. Slowly slow down and stop	当选择失电电磁制动停止时,电机将迅速停止并制动。若选择自由减速停止时,电机停止太快,可选择缓慢减速停止 When the de-energized electromagnetic brake is selected to stop, the motor will quickly stop and brake. If you choose free deceleration stop, the motor stops too fast, you can choose slow deceleration stop	1	
F-12	正转停止时失电电磁制动器制动延时时间 De-powered electromagnetic braker delay time when forward rotation stops	0.1 ~ 10.0 秒 seconds	F-11 选择 1 时,菜单有效,电机停止时,在此设定时间内,先以自由减速方式减速后再制动。 When F-11 selects 3, the menu is valid, When the motor stops, within the setting time, be decelerated in free deceleration mode then brake .	0.0	
F-13	正转停止时缓慢减速时间 When the forward stop Slow deceleration time	0.1 ~ 10.0 秒 seconds	F-11 选择 3 时,菜单有效。 When F-11 selects 3, the menu is valid.	1.0	
F-14	正转启动时解除失电电磁制动器后电机延迟启动时间 Relieve de-powered electromagnetic braker delay time when forward rotation start	0.0 ~ 2.0 秒 seconds	若电机启动时速度过冲,可微调加大至 0.1 秒 If the speed is overshooted when the motor starts, the fine adjustment can be increased to 0.1 second.	0.0	
F-15	反转启动加速时间 Reverse start acceleration time	0.1 ~ 10.0 秒 seconds	时间长,电机启动平缓,启动时间长。 时间短,电机启动快猛,启动时间短。 Long time, motor starting level, long starting time. The time is short, the motor starts fast and the starting time is short.。	1.0	
F-16	反转停止方式 Reverse stop mode	1. 失电电磁制动停止 2. 自由减速停止 3. 缓慢减速停止 1. Power failure electromagnetic brake stops 2. Free deceleration stop 3. Slowly slow down and stop	当选择失电电磁制动停止时,电机将迅速停止并制动。若选择自由减速停止时,电机停止太快,可选择缓慢减速停止 When the de-energized electromagnetic brake is selected to stop, the motor will quickly stop and brake. If you choose free deceleration stop, the motor stops too fast, you can choose slow deceleration stop	1	
F-17	反转停止时失电电磁制动器制动延时时间 De-energized electromagnetic brake brake delay time	0.0 ~ 5.0 秒 seconds	F-16 选择 1 时,菜单有效,电机停止时,在此设定时间内,先以自由减速方式减速后再制动。 When F-16 is selected 1, the menu is valid. When the motor stops, during this set time, first decelerate in the free deceleration mode and then brake.	0.0	

参数码 Parameter code	参数功能 Parameter function	设定范围 setting area	功能说明 Function Description	出厂设定值 Factory setting	用户设定值 User setting
F-18	反转停止时缓慢减速时间 Slow deceleration time when reverse rotation stops	0.1 ~ 10.0 秒 seconds	F-16 选择 3 时, 菜单有效。 When F-16 selects 3, the menu is valid.	1	
F-29	恢复出厂设定 Restore factory settings	1. 不恢复 2. 恢复出厂设置 1. Not recovering 2. Restore factory settings		1	
F-30	程序版本 Program Version	代码 + 版本 Code + version		0.3**	

故障报警 Er-1: 1) 过载堵转。

2) 调速器与电机或运行电容的连接异常。

故障处理方式: 1) 检查、排除故障。

2) 重新上电解除报警。

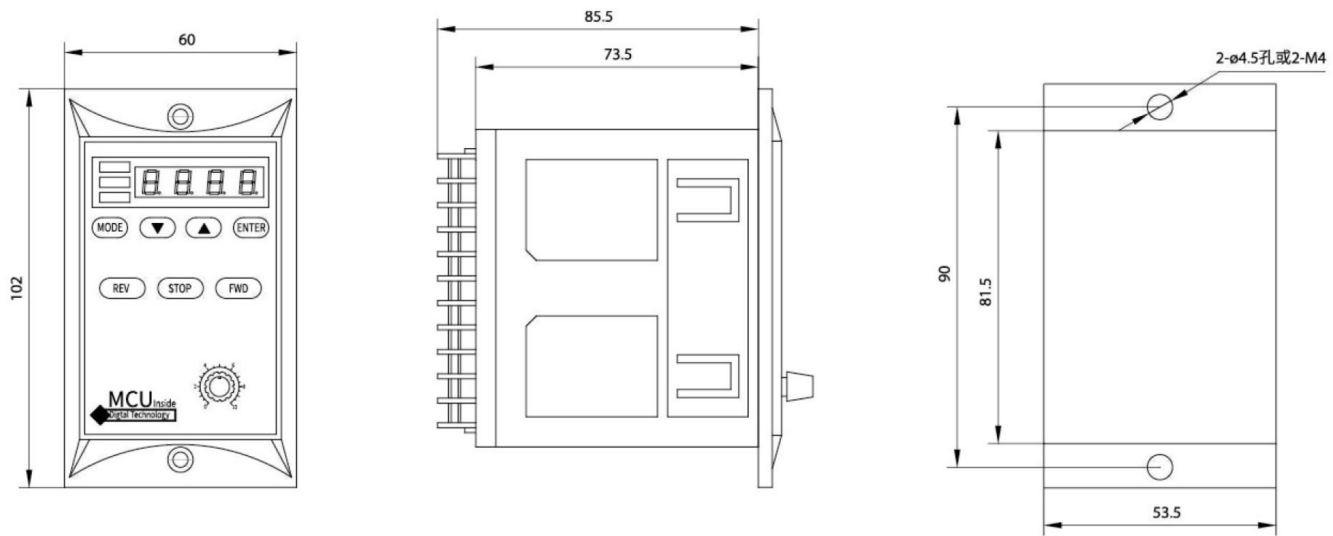
Fault alarm Er-1: 1) Overload blocked.

2) The connection between the governor and the motor or the running capacitor is abnormal.

Troubleshooting: 1) Check and troubleshoot.

2) Re-power on to cancel the alarm.

● SFB系列面板式调速器外形及安装图 SF series panel governor shape and installation diagram



使用须知

- 请勿在爆炸性环境、易燃气环境、腐蚀性环境以及容易沾上水的场所或可燃物周围使用。
- 避免连续振动、过度冲击。
- 电机在正常运转状态下, 有时电机外壳表面的温度可能会超过 70℃, 因此在可能触及电机的使用环境下请加贴右圈所示的警告标志。
- 请务必将接地端子接地。
- 安装、连接、检查等作业须由专业技术人员进行。

● Terms and Conditions

- Do not use in a fragile environment, an easy-to-existing gas environment, a corrosive environment, or a place where it is easy to get water or a bakeable object.
- Avoid continuous vibration. Excessive impact.
- When the motor is in normal operation, sometimes the temperature of the motor casing surface may exceed 70 °C.
- Therefore, please put the general sign shown on the right circle in the environment where the motor may be touched.
- Be sure to ground the ground terminal.
- Installation, connection, inspection, etc. must be carried out by professional technicians.