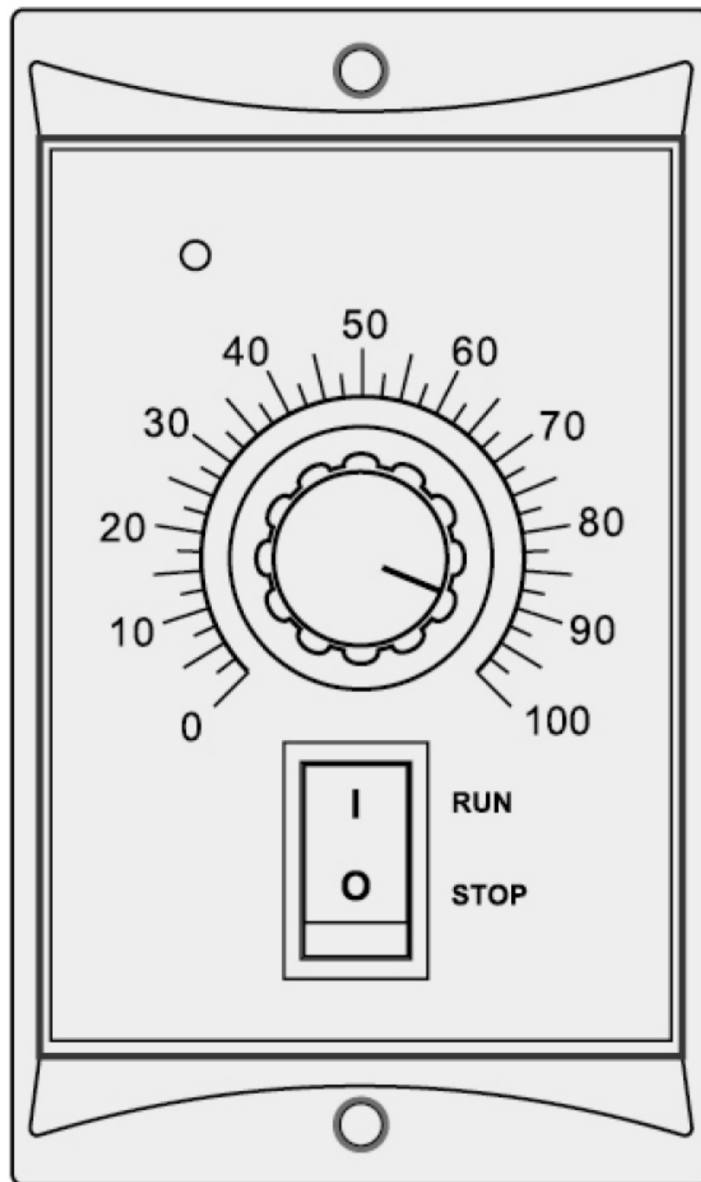


# DS Series Panel Speed Controller Instruction Manual



To ensure safe and correct operation, please read this manual before installing and using the product.

# DS Series Panel Speed Controller User Manual

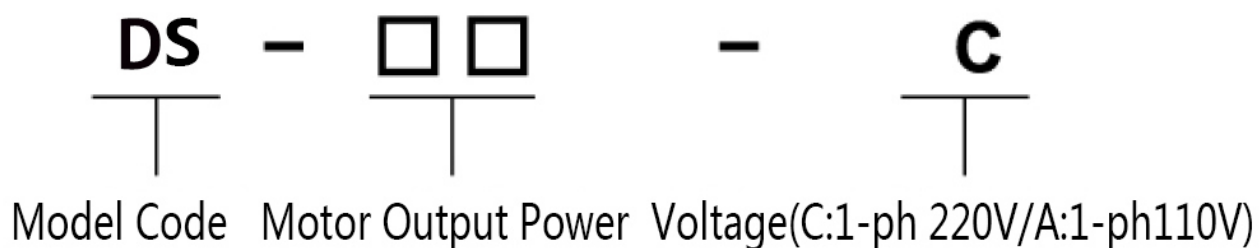
## 1 Features

- Software and hardware combination mode, using MCU chip digital precision control.;
- The speed is locked, and the speed source of the motor is not affected by the temperature change of the motor;
- Intelligent learning function, regardless of the level of motor feedback voltage, it can automatically identify and match, so as to achieve the best control state and maximize efficiency.;
- Achieve wide voltage and wide range adjustment, voltage from 170V-270V, frequency 50Hz ~ 60Hz can be automatically matched and used.
- The design is novel and the materials are exquisite, the outer light is made of ABS5 plus PC flame-retardant materials, and the wire is made of super flexible high and low humidity resistant American standard

## 2 Model performance parameter table

Applicable motor power	6W 15W 25W 40W 60W 90W 120W 140W 150W 200W 250W 300W 400W
Motor type used	Speed Control motor
Installation method	Panel type
Speed mode	Panel potentiometer
Running capacitor	Built-in (built into the speed controller)
Speed range	50Hz: 120-1350r/min; 60Hz: 120-1680r/min
Power frequency	50Hz 60Hz
Use environment	-10°C-+45°C (no freezing), below 85% (no condensation)

### 3 Model Naming Rules



Indication Light

Stop: Red

Run : Green

Control Knob

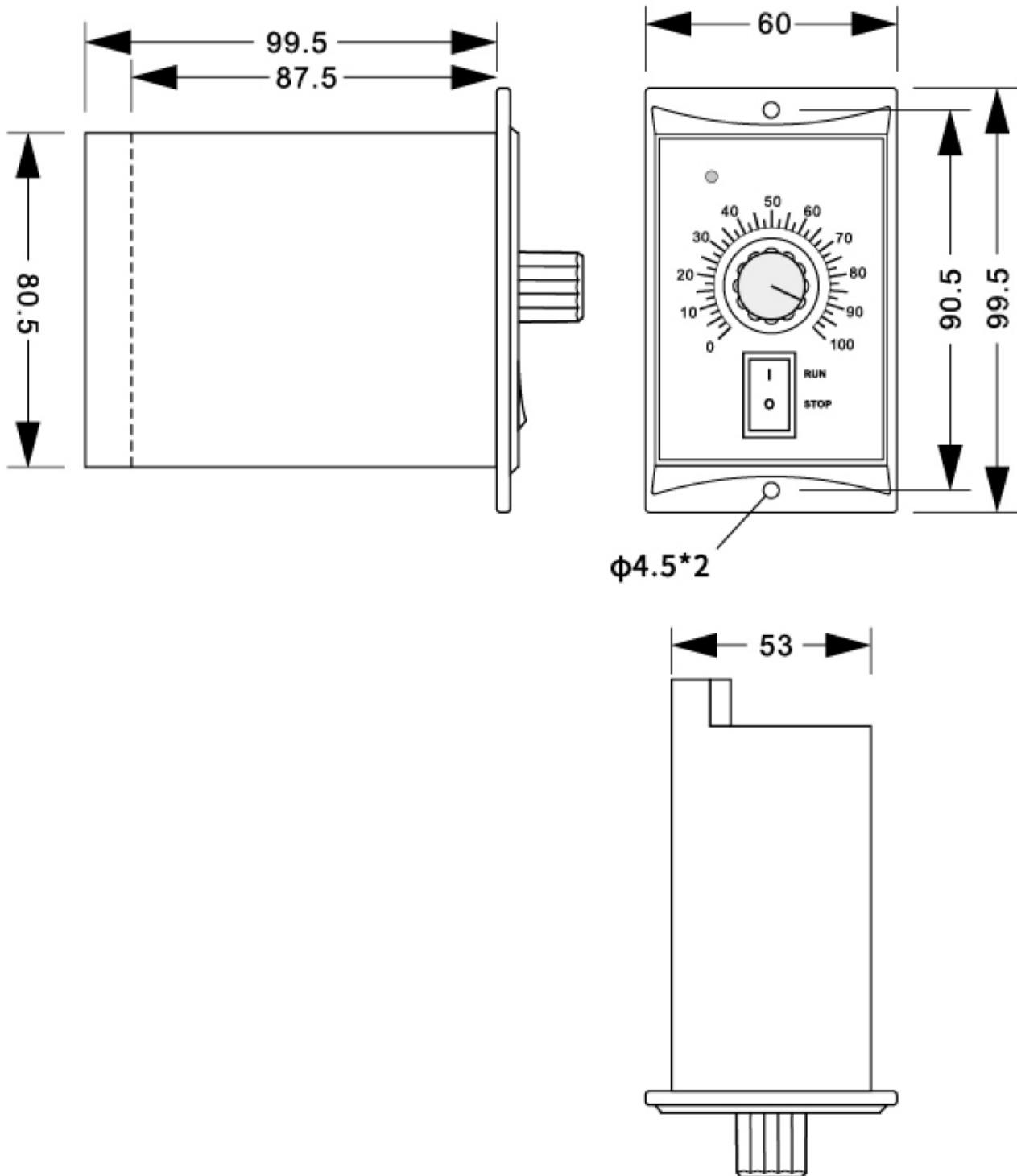
Switch

Run

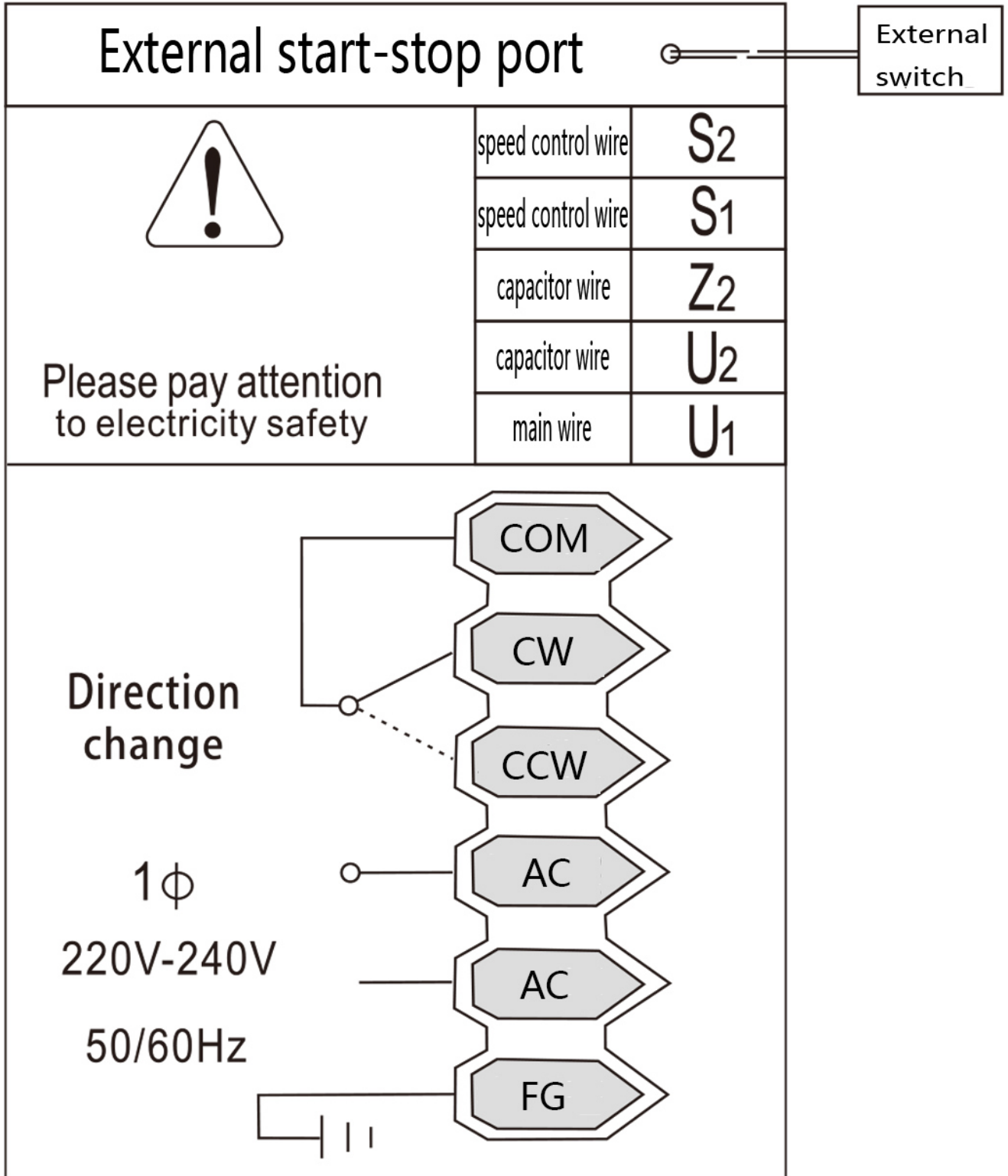
Stop



## 4 Installation Size Drawing



## 5 Wiring Diagram of Speed Controller



## 6 Running Direction

- If the motor needs to rotate forward: connect "COM" and "CW"
- If motor reversal is required: connect "COM" with "CCW"
- For forward and reverse: in "COM", "CW", "CCW"
- Connect the forward and reverse control switch "K"

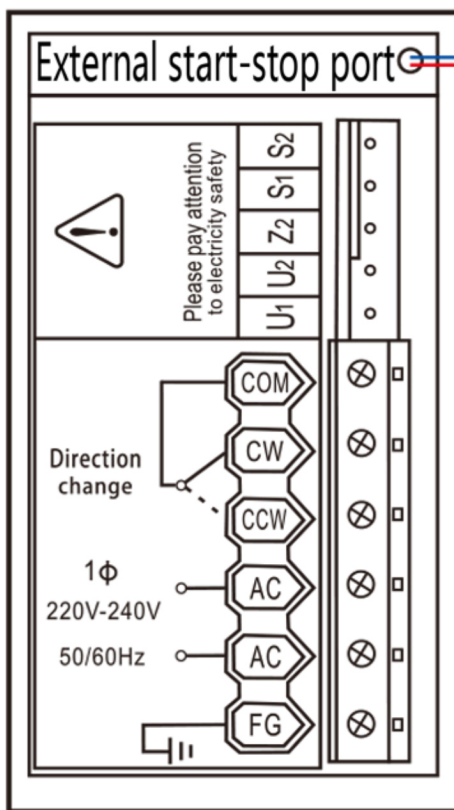
Note: The contact capacity of switch "K" is not less than 10A.

- The speed control motor power must be consistent with the power of the applicable motor
- Attention to the controller power label is consistent with the motor power
- The power supply voltage must be consistent with controller's power supply voltage
- QF is a circuit breaker, which protects the controller and the speed control motor in the event of a short circuit
- K is a forward and reverse switch, current specification: 10A or more.

Power supply voltage	Motor power	QF current specs
220V	6-90W	1A
220V	120-300W	2A
220V	400W	3A
110V Customized	6-90W	2A
110V Customized	120-300W	4A
110V Customized	400W	6A



# DS Series Panel Speed Controller User Manual



External switch

## Note:

External port: This port is a low-voltage (0-5V) normally open signal, which is connected to stop/disconnect operation, which has an on-off function, and the soft-start effect is more obvious.

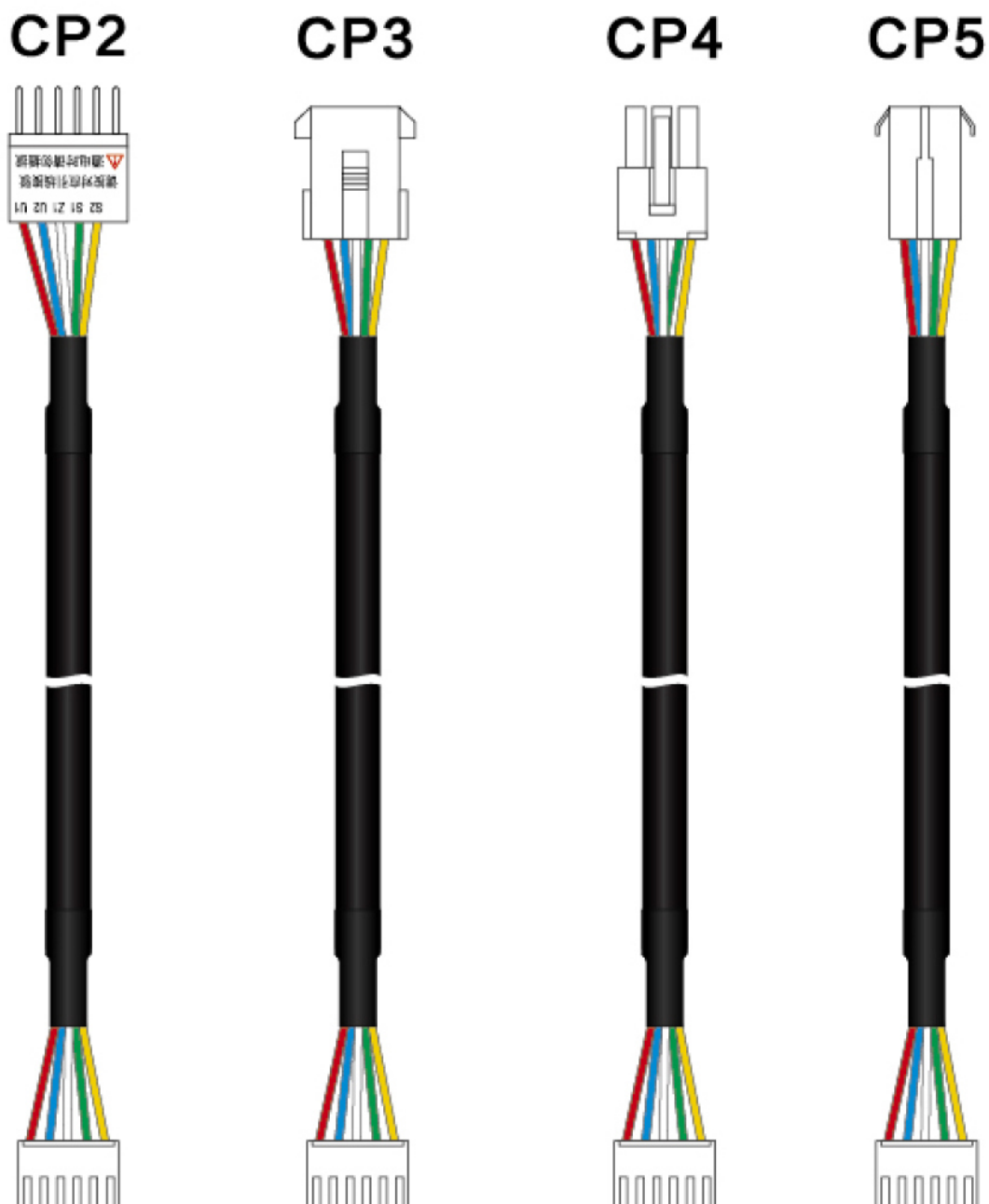
## 7 Usage Notice

- Do not use in explosive environment, flammable gas environment, corrosive environment, and water Use in places or around combustibles;
- Avoid continuous vibration and excessive shock;
- Under normal operation of the motor, sometimes the temperature of the surface of the motor shell may exceed 70°C, so in the environment where the motor may be touched, please attach the warning signs shown in the figure below



- The motor is not allowed to run continuously at low speed for a long time
- Be sure to ground the ground terminal
- Installation, connection, inspection and other operations must be carried out by professional personnel

## 8 Optional Accessories (according to the motor model with corresponding wires)



Note: The optional accessories are developed and designed for the convenience of users. This speed controller does not include optional accessories, which need to be purchased separately by the user. If you need to purchase, please contact the sales staff.