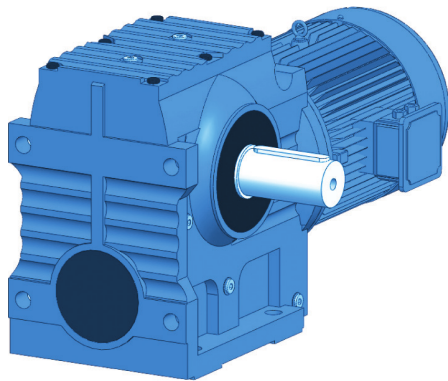
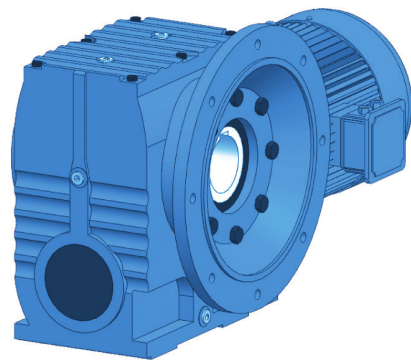


S系列斜齿轮—蜗轮蜗杆减速电机
S Series Helical-worm Gear Units

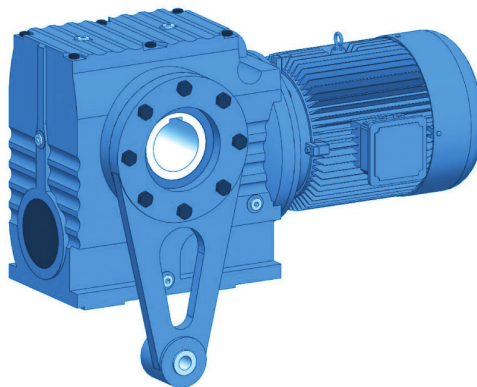


S-底脚安装轴伸式斜齿轮—蜗轮蜗杆减速电机
S- Foot-mounted with Shaft-extension Type



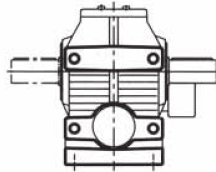
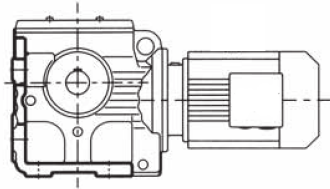
SA-A-F 法兰空心轴安装斜齿轮—蜗轮蜗杆减速电机
SA-A-F Flange-mounted with Hollow shaft

S

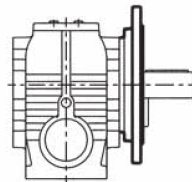
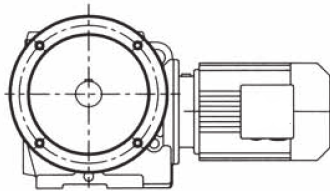


SA-A-T 力矩臂空心轴斜齿轮—蜗轮蜗杆减速电机
SA-A-T Torque arm-mounted with Hollowshaft

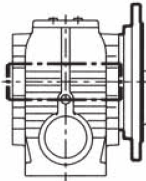
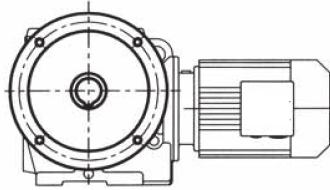
可以提供下列型号斜齿轮减速电机 / Available Versions



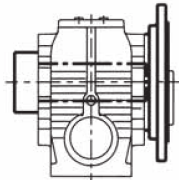
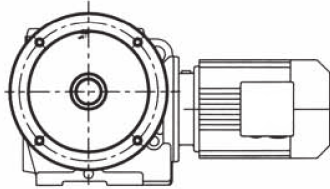
S-Y
底脚安装斜齿轮—蜗轮蜗杆减速电机
S-Y
Foot-mounted



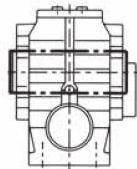
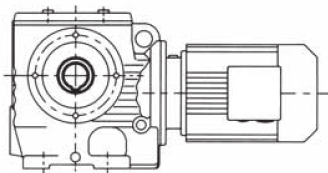
SA-F-Y
B5法兰安装斜齿轮—蜗轮蜗杆减速电机
SA-F-Y
B5 Flange-mounted



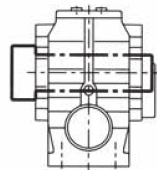
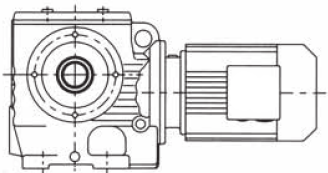
SA-A-F-Y
B5法兰空心轴安装斜齿轮—蜗轮蜗杆减速电机
SA-A-F-Y
B5 Flange mounted with Hollow shaft



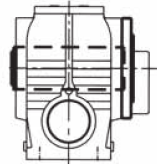
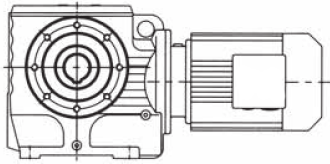
SA-H-F-Y
B5法兰空心轴锁紧盘安装斜齿轮—蜗轮蜗杆减速电机
SA-H-F-Y
B5 Flange Hollow shaft with shrink disk mounted



SA-A-Y
空心轴斜齿轮—蜗轮蜗杆减速电机
SA-A-Y
Hollow shaft



SA-H-Y
空心轴锁紧盘安装斜齿轮—蜗轮蜗杆减速电机
SA-H-Y
Hollow shaft with shrink disk mounted

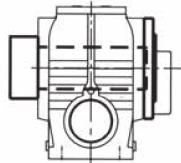
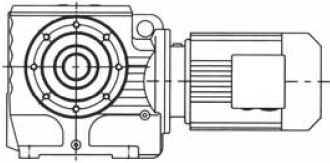


SA-A-Z-Y

B14法兰空心轴安装斜齿轮—蜗轮蜗杆减速电机

SA-A-Z-Y

B14 Flange with Hollow-shaft mounted

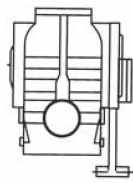
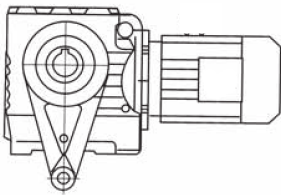


SA-H-Z-Y

B14法兰空心轴锁紧安装斜齿轮—蜗轮蜗杆减速电机

SA-H-Z-Y

B14 Flange Hollow-shaft with shrink disk mounted

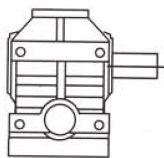
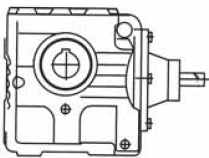


SA-A-T

力矩臂空心轴安装斜齿轮—蜗轮蜗杆减速电机

SA-A-T

Torque-arm with Hollow-shaft mounted

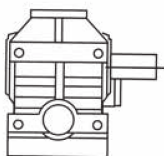
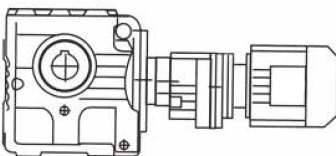


S-AD

轴输入型斜齿轮—蜗轮蜗杆减速电机

S-AD

Input Shaft type



S-RF-F

多级串联的组合式斜齿轮—蜗轮蜗杆减速电机

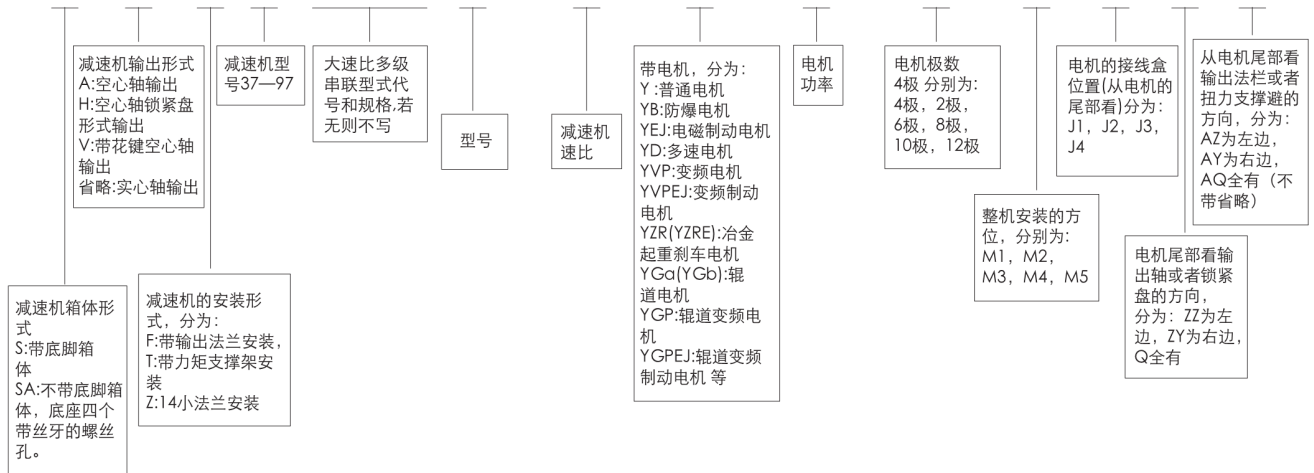
S-RF-F

The combination of Multi-stage series type

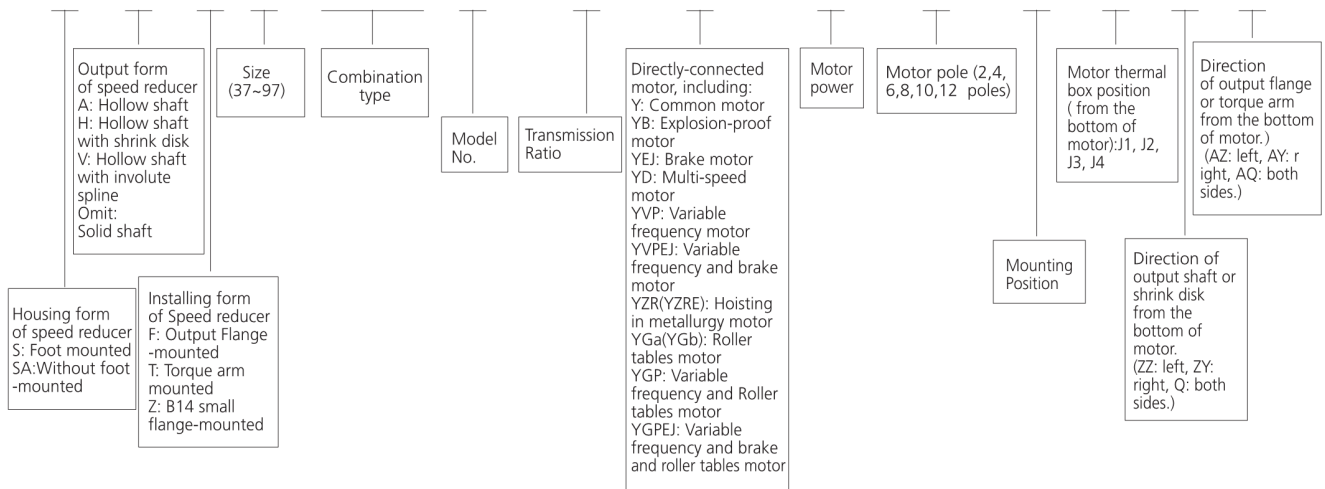


型号与标记 / Type Designation

S - H- F- 97 -RF -F- 57 -62.55 -Y-5.5KW - 4P -M1 -J1-ZZ-AZ



S - H- F- 97 -RF -F- 57 -62.55 -Y -5.5KW - 4P -M1 -J1-ZZ-AZ



- ① 带直联电机单组减速机 Directly-connected motor speed reducer
S-H-F-97-62.55-Y-5.5KW-4P-M1-J1-ZZ-AZ
- ② 带直联电机双组减速机 Directly-connected motor Speed reducer(Combination type)
S-H-F-97-RF-F-57-62.55-Y-5.5KW-4P-M1-J1-ZZ-AZ
- ③ 带电机带输入法兰 With motor and input flange
S-H-F-97-62.55-AM132B5-Y-5.5KW-4P-M1-J1-ZZ-AZ
- ④ 不带电机带输入法兰 Input flange-mounted, without motor
S-H-F-97-62.55-AM132B5-M1-J1-ZZ-AZ
- ⑤ 带输入轴 With input shaft
S-H-F-97-62.55-AD4-M1-ZZ-AZ

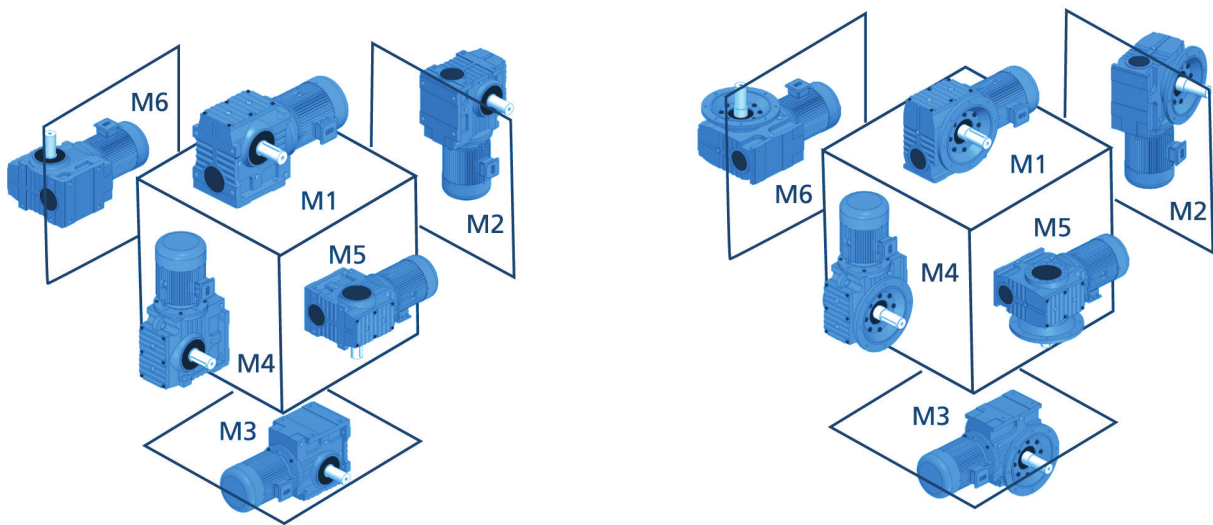
AM132B5: 带过度法兰电机的IEC标准法兰尺寸(可查阅电机样本)

AD4: 轴输入 输入轴的大小分为: AD1, AD2, AD3, AD4, AD5, AD6, AD7, AD8.

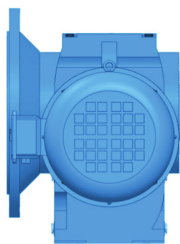
AM132B5: Dimension of IEC flange (please refer to our catalogue)

AD4: Input shaft (AD1, AD2, AD3, AD4, AD5, AD6, AD7, AD8)

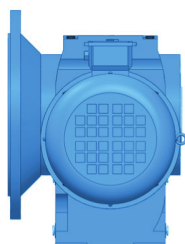
安装形式 / Mounting Positions:



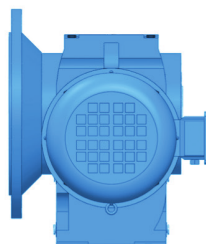
电机接线盒位置 / Position Of The Motor Thermal Box



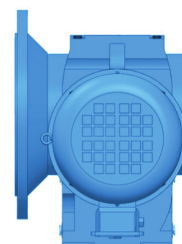
J1(0°)



J2(270°)



J3(180°)



J4(90°)

速比范围与最大扭矩 / Transmission Ratio Range & Maximum Torque

机型号 Size	37	47	57	67	77	87	97
结构形式 Type	S/SA-F						
传动比 Transmission ratio	6.80~157.43	7.28~201	7.28~201	7.56~217.41	8.06~256.47	7.88~288	8.26~286.4
最大扭矩 (N·m) Maximum torque (N.m)	90	170	300	520	1270	2280	4000

s系列减速机注油量见下表：（表中数值仅为参考值，具体以减速机油位孔位置为准）

Data in the table is for reference, operation is subject to oil level and oil sight glass.

润滑油量表 / Lubricant Sheet

机型号 / Size	润滑油量(升) / Lubricant (liter)					
	M1	M2	M3 ¹⁾	M4	M5	M6
S-37	0.25	0.4	0.5	0.6	0.4	0.4
S-47	0.35	0.8	0.7	1.1	0.8	0.8
S-57	0.5	1.2	1	1.	1.3	1.3
S-67	1	2.0	2.2/3.1	3.2	2.6	2.6
S-77	1.9	4.2	3.7/5.4	6	4.4	4.4
S-87	3.3	8.1	6.9/10.4	12	8.4	8.4
S-97	6.8	15	13.4/18	22.5	17	17

SA-F-

机型号 / Size	润滑油量(升) / Lubricant (liter)					
	M1	M2	M3 ¹⁾	M4	M5	M6
SA-F-37	0.25	0.4	0.5	0.6	0.4	0.4
SA-F-47	0.4	0.9	0.9	1.2	1.0	1.0
SA-F-57	0.5	1.2	1	1.6	1.4	1.4
SA-F-67	1	2.2	2.3/3	3.2	2.7	2.7
SA-F-77	1.9	4.1	3.9/5.8	6.5	4.9	4.9
SA-F-87	3.8	8	7.1/10.1	12	9.1	9.1
SA-F-97	7.4	15	13.8/18.8	23.6	18	18

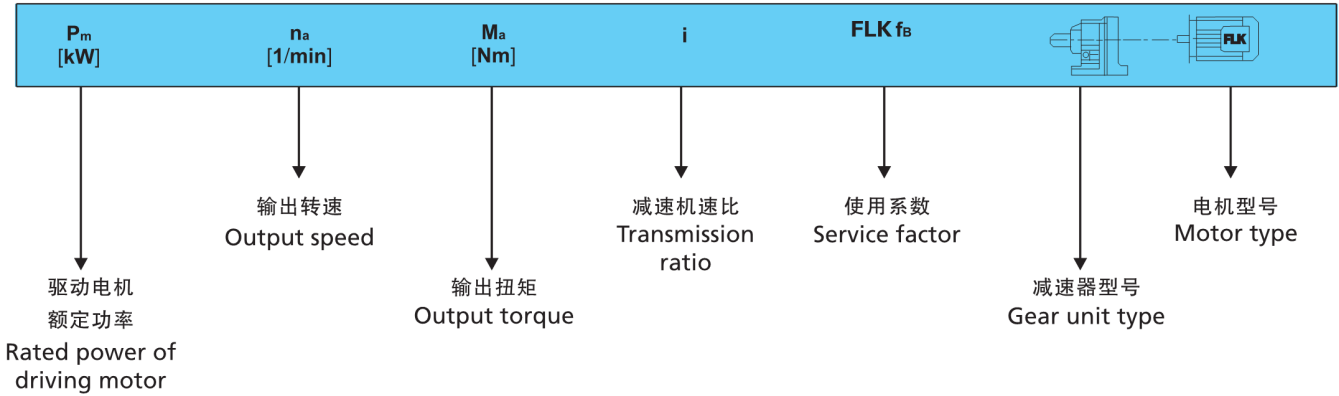
SA-A、SA-A-F、SA-A-F-

机型号 / Size	润滑油量(升) / Lubricant (liter)					
	M1	M2	M3 ¹⁾	M4	M5	M6
SA-A-F-37	0.25	0.4	0.5	0.6	0.4	0.4
SA-A-F-47	0.4	0.8	0.7	1.1	0.8	0.8
SA-A-F-57	0.5	1.1	1	1.6	1.2	1.2
SA-A-F-67	1	2.0	1.8/2.6	2.9	2.5	2.5
SA-A-F-77	1.8	3.9	3.6/5	5.9	4.5	4.5
SA-A-F-87	3.8	7.4	6/8.7	11.2	8	8
SA-A-F-97	7	14	11.4/16	21	15.7	15.7

注: 1)表示减速机为组合型时低速级所加油量为大值。

Note: 1) Combinational type at low speed is the maximum quantity of oil.

承载能力表的结构 / Capacity Table Structure



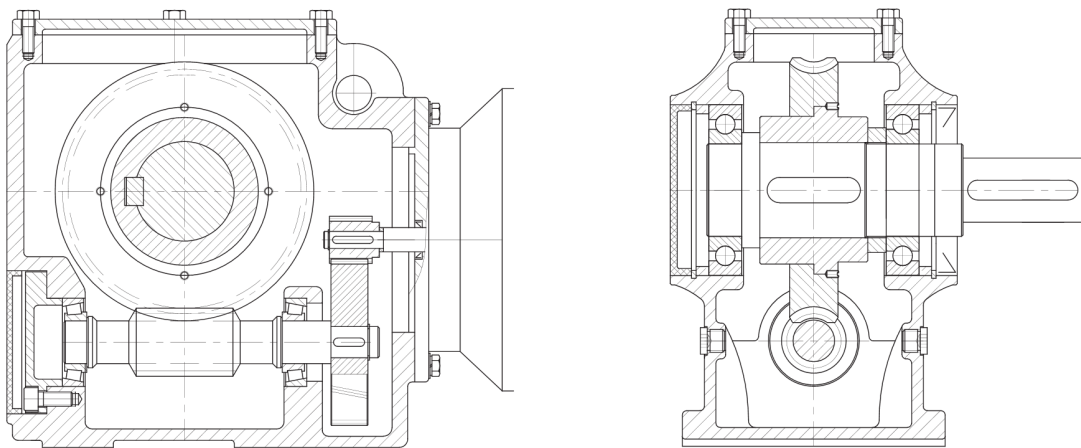
S系列减速机重量 (KG)

型号Type	S37	S47	S57	S67	S77	S87	S97
重量Weight	8	10	13.5	25	43	85	149

说明：带输入轴输入法兰的机型重量约增加20%，带电机的机型根据所配电机的重量而增加。

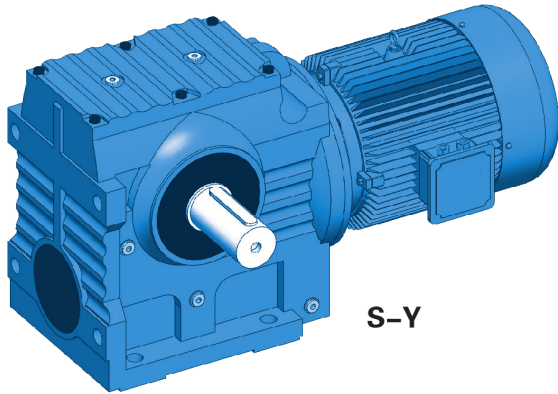
Note: Weight of reducer with input flange should be added 20%, if there is a motor, please add weight according to motor.

结构示意图 / Sectional Drawings

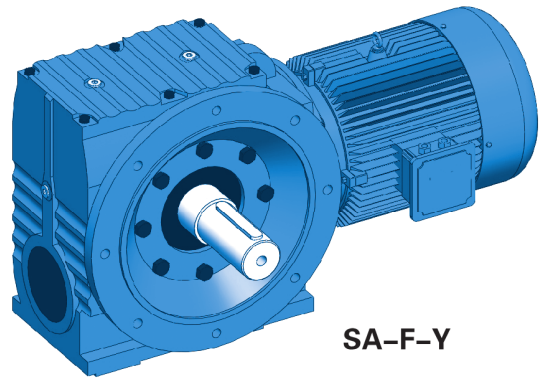


S-Y

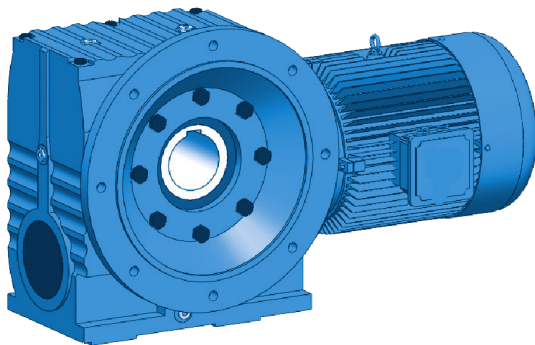
S, S-F, SA-A-F, SA-A, SA-H, SA-T, SA-A-Z, SA-H-Z-Y



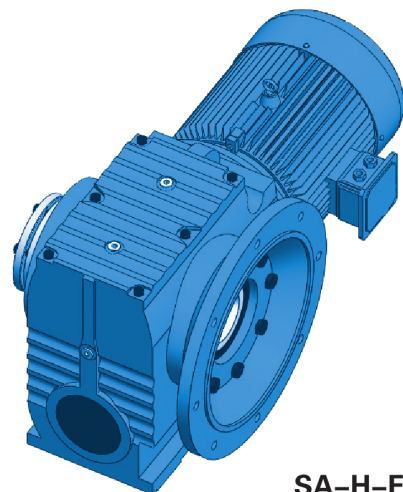
S-Y



SA-F-Y

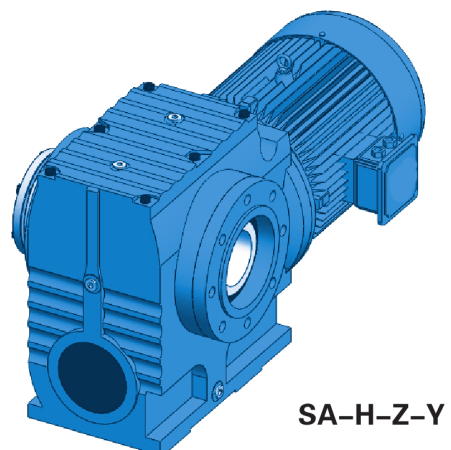
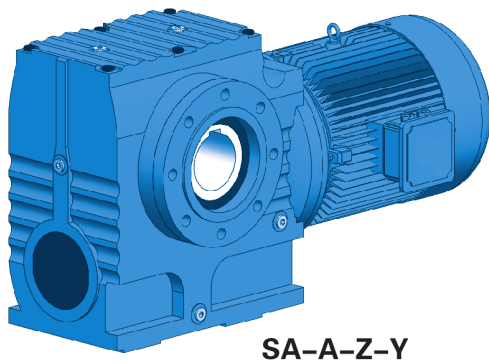
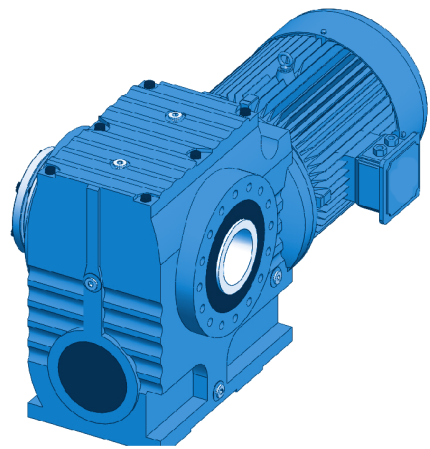
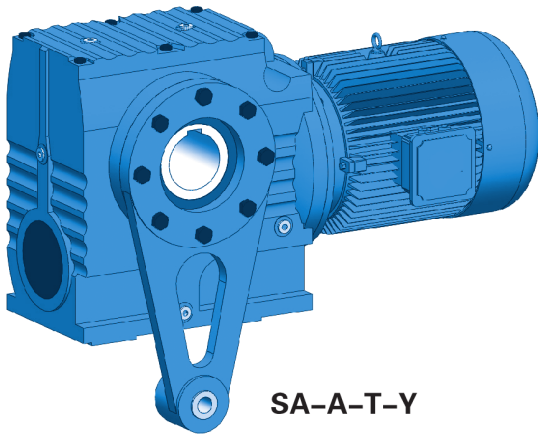


SA-A-F-Y



SA-H-F-Y

S



输出转速 Output speed (r/min)	输出扭矩 Output torque (N.M)	传动比 Ratio (i)	使用系数 Service factor (fB)	机型号 Type	电机级数 Motor pole	输出转速 Output speed (r/min)	输出扭矩 Output torque (N.M)	传动比 Ratio (i)	使用系数 Service factor (fB)	机型号 Type	电机级数 Motor pole
0.12KW						0.12KW					
0.12	4610	11267	0.90	S97-RF57	4P	6.9	95	201.00	1.80		
0.14	4210	10078	1.00	SF97-RF57	4P	7.5	89	184.80	1.90	S-47	4P
0.16	3500	8608	1.20	SA97-RF57	4P	8.7	77	158.12	2.2	SA-F-47	4P
0.18	3090	7554	1.35	SAF97-RF57	4P	10	68	137.05	2.5	SA-A-47	4P
						11	64	128.10	2.6	SA-A-F-47	4P
						12	57	110.73	3.0		
0.18	3120	7643	0.80			5.7	107	157.43	0.85		
0.21	2630	6706	0.95	S87-RF57	4P	6.2	99	144.40	0.95	S-37	6P
0.23	2330	5875	1.05	SF87-RF57	4P	7.3	86	122.94	1.05	SA-F-37	6P
0.27	1960	5187	1.25	SA87-RF57	4P	8.5	76	106.00	1.20	SA-A-37	6P
0.30	1740	4606	1.45	SAF87-RF57	4P	9.1	71	98.80	1.30	SA-A-F-37	6P
0.36	1450	3872	1.70			10	64	86.36	1.45		
0.39	1340	3540	0.95			8.8	74	157.43	1.25		
0.45	1170	3098	1.10			9.6	68	144.40	1.35		
0.58	1280	2374	0.95	S77-RF37	4P	11	60	122.94	1.55		
0.66	1130	2083	1.10	SF77-RF37	4P	13	52	106.00	1.70		
0.76	960	1813	1.30	SA77-RF37	4P	14	49	98.80	1.75		
0.79	910	1745	1.35	SAF77-RF37	4P	16	44	86.36	1.95		
0.86	840	1600	1.50			17	41	80.96	2.1	S-37	4P
0.98	735	1404	1.70			19	37	71.44	2.3	SA-F-37	4P
1.1	645	1245	1.90			22	33	63.33	2.5	SA-A-37	4P
1.0	665	1363	0.85			25	35	55.93	2.3	SA-A-F-37	4P
1.2	575	1194	1.00			27	33	51.30	2.5		
1.3	515	1045	1.10	S67-RF37	4P	32	28	43.68	2.9		
1.5	445	914	1.30	SF67-RF37	4P	37	25	37.66	3.2		
1.7	400	809	1.40	SA67-RF37	4P	39	23	35.10	3.4		
1.9	355	712	1.60	SAF67-RF37	4P	45	20	30.68	3.7		
2.2	295	615	1.95			48	19	28.76	3.9		
2.5	265	543	2.2			54	17	25.38	4.3		
2.9	220	469	2.6			61	15	22.50	4.8		
3.3	197	424	2.9			69	14	19.89	3.6		
3.8	180	365	3.2			76	13	18.24	3.9		
						89	11	15.53	4.4		
2.1	315	655	0.95			0.18KW					
2.4	275	574	1.10			0.29	2970	4606	0.85		
2.7	240	506	1.25	S57-RF17	4P	0.34	2480	3872	1.00		
3.2	210	438	1.45	SF57-RF17	4P	0.38	2350	3475	1.05		
3.6	183	388	1.65	SA57-RF17	4P	0.45	1970	2905	1.10	S87-RF57	4P
4.1	163	336	1.85	SAF57-RF17	4P	0.51	1710	2586	1.25	SF87-RF57	4P
4.7	140	294	2.1			0.57	1520	2335	1.45	SA87-RF57	4P
5.1	134	269	2.2			0.64	1320	2054	1.90	SAF87-RF57	4P
						0.72	1170	1824	2.1		
						0.81	1050	1631	2.4		
3.2	210	438	0.90			0.94	1220	1404	1.00		
3.6	183	388	1.00			1.1	1070	1245	1.15		
4.1	162	336	1.15	S47-RF17	4P	1.2	990	1100	1.25	S77-RF37	4P
4.7	139	294	1.35	SF47-RF17	4P	1.4	850	954	1.45	SF77-RF37	4P
5.4	113	257	1.95	SA47-RF17	4P	1.6	745	837	1.65	SA77-RF37	4P
6.0	99	229	1.65	SAF47-RF17	4P	1.9	625	714	2.0	SAF77-RF37	4P
6.9	95	200	1.90			2.1	555	637	2.2		
7.4	92	187	2.0			2.3	500	574	2.5		
6.8	99	202	0.95			1.6	660	809	0.85		
7.7	88	179	1.05	S37-RF17	4P	1.9	580	712	1.00		
8.7	78	158	1.15	SF37-RF17	4P	2.2	490	615	1.15	S67-RF37	4P
9.6	72	144	1.25	SA37-RF17	4P	2.4	440	543	1.30	SF67-RF37	4P
12	59	118	1.55	SAF37-RF17	4P	2.8	370	469	1.55	SA67-RF37	4P
13	55	110	1.65			3.1	335	424	1.70	SAF67-RF37	4P
						3.6	295	365	1.90		
4.5	143	201.00	2.1	S-57	6P	3.0	345	438	0.85		
4.9	133	184.80	2.2	SA-F-57	6P	3.4	305	388	1.00	S57-RF17	4P
5.7	116	158.12	2.5	SA-A-57	6P	3.9	270	336	1.10	SF57-RF17	4P
6.6	103	137.05	2.9	SA-A-F-57	6P	4.5	235	264	1.30	SA57-RF17	4P
						4.9	220	269	1.35	SAF57-RF17	4P
4.5	138	201.00	1.30								
4.9	129	184.80	1.40	S-47	6P						
5.7	112	158.12	1.55	SA-F-47	6P						
6.6	99	137.05	1.75	SA-A-47	6P						
7.0	93	128.10	1.85	SA-A-F-47	6P						

输出转速 Output speed (r/min)	输出扭矩 Output torque (N.M)	传动比 Ratio (i)	使用系数 Service factor (fB)	机型号 Type	电机级数 Motor pole	输出转速 Output speed (r/min)	输出扭矩 Output torque (N.M)	传动比 Ratio (i)	使用系数 Service factor (fB)	机型号 Type	电机级数 Motor pole
0.18KW						0.25KW					
5.8	188	229	1.60	S57-RF17	4P	0.45	2860	2905	0.85		
6.5	169	204	1.80	SF57-RF17	4P	0.50	2500	2586	1.00	S87-RF57	4P
7.1	154	187	1.95	SA57-RF17	4P	0.63	2240	2335	1.10	SF87-RF57	4P
				SAF57-RF17	4P	0.71	1950	2054	1.30	SA87-RF57	4P
4.5	230	294	0.80			0.80	1550	1631	1.60	SAF87-RF57	4P
5.1	158	257	1.15			1.4	910	930	2.8		
5.8	185	229	1.00	S47-RF17	4P	1.4	1230	954	1.00		
6.6	162	200	1.15	SF47-RF17	4P	1.5	1080	837	1.15	S77-RF37	4P
7.1	152	187	1.20	SA47-RF17	4P	1.8	910	714	1.35	SF77-RF37	4P
8.0	134	165	1.40	SAF47-RF17	4P	2.0	810	637	1.55	SA77-RF37	4P
8.9	121	148	1.55			2.3	730	574	1.70	SAF77-RF37	4P
10	108	131	1.70			2.6	625	499	2.0		
4.0	255	217.41	2.5	S-67	6P	2.4	635	543	0.90		
4.6	225	190.11	2.5	SA-F-67	6P	2.8	540	469	1.05	S67-RF37	4P
4.8	215	180.60	2.6	SA-A-67	6P	3.1	485	424	1.15	SF67-RF37	4P
				SA-A-F-67	6P	3.6	430	365	1.30	SA67-RF37	4P
4.3	220	201.00	1.35	S-57	6P	4.1	375	319	1.50	SAF67-RF37	4P
4.7	205	184.80	1.45	SA-F-57	6P	4.6	330	281	1.75		
5.5	180	158.12	1.65	SA-A-57	6P	4.4	340	294	0.90		
6.3	159	137.05	1.85	SA-A-F-57	6P	4.8	315	269	0.95	S57-RF17	4P
6.6	154	201.00	1.90	S-57	4P	5.7	270	229	1.10	SF57-RF17	4P
7.1	143	184.80	2.1	SA-F-57	4P	6.4	245	204	1.25	SA57-RF17	4P
8.4	125	158.12	2.4	SA-A-57	4P	6.9	225	187	1.35	SAF57-RF17	4P
9.6	110	137.05	2.7	SA-A-F-57	4P	7.9	198	165	1.50		
4.3	215	201.00	0.85	S-47	6P	9.9	159	131	1.90		
4.7	199	184.80	0.90	SA-F-47	6P	3.1	435	217.41	1.30	S-67	8P
5.5	173	158.12	1.00	SA-A-47	6P	3.6	390	190.11	1.45	SA-F-67	8P
6.3	153	137.05	1.10	SA-A-F-47	6P	3.8	370	180.60	1.50	SA-A-67	8P
6.8	144	128.10	1.20			4.3	330	158.45	1.70	SA-A-F-67	8P
6.6	149	201.00	1.15			4.1	350	217.41	1.60	S-67	6P
7.1	138	184.80	1.25	S-47	4P	4.6	310	190.11	1.80	SA-F-67	6P
8.4	121	158.12	1.40	SA-F-47	4P	4.9	295	180.60	1.90	SA-A-67	6P
9.6	107	137.05	1.60	SA-A-47	4P	5.6	265	158.45	2.1	SA-A-F-67	6P
10	100	128.10	1.65	SA-A-F-47	4P	6.0	245	217.41	2.1		
12	88	110.73	1.90			6.8	220	190.11	2.4	S-67	4P
14	77	94.08	2.2			7.2	210	180.60	2.5	SA-F-67	4P
16	69	84.00	2.4			8.2	187	158.45	2.8	SA-A-67	4P
18	60	71.75	2.8			9.7	161	134.40	3.2	SA-A-F-67	4P
19	69	69.36	2.2			11	147	121.33	3.5		
8.4	115	157.43	0.80			12	131	106.75	4.0		
9.1	107	144.40	0.85			4.4	305	201.00	1.00		
11	93	122.94	1.00			4.8	285	184.80	1.05	S-57	6P
12	82	106.00	1.10			5.6	245	158.12	1.20	SA-F-57	6P
13	77	98.8	1.15			6.4	220	137.05	1.35	SA-A-57	6P
15	68	86.36	1.25			6.9	205	128.10	1.45	SA-A-F-57	6P
16	64	80.96	1.30			6.5	215	201.00	1.35		
18	58	71.44	1.45			7.0	200	184.80	1.45		
21	52	63.66	1.60	S-37	4P	8.2	176	158.12	1.70	S-57	4P
24	55	55.93	1.45	SA-F-37	4P	9.5	155	137.05	1.90	SA-F-57	4P
26	51	51.30	1.60	SA-A-37	4P	10	146	128.10	2.0	SA-A-57	4P
30	44	43.46	1.85	SA-A-F-37	4P	12	129	110.73	2.3	SA-A-F-57	4P
35	38	37.66	2.1			14	111	94.08	2.7		
38	36	35.10	2.2			15	101	84.00	2.9		
43	32	30.68	2.4			6.5	210	201.00	0.80		
46	30	28.76	2.5			7.0	195	184.80	0.85		
52	27	25.38	2.8			8.2	170	158.12	1.00	S-47	4P
59	24	22.50	3.1			9.5	150	137.05	1.10	SA-F-47	4P
66	22	19.89	2.3			10	141	128.10	1.20	SA-A-47	4P
72	21	18.24	2.5			12	124	110.73	1.3	SA-A-F-47	4P
85	18	15.53	2.8			14	108	94.08	1.55		
99	15	13.39	3.2			15	98	84.00	1.70		
106	14	12.48	3.4			18	85	71.75	1.95		
121	13	10.91	3.8			19	97	69.39	1.60		
129	12	10.23	4.0								



输出转速 Output speed (r/min)	输出扭矩 Output torque (N.M)	传动比 Ratio (i)	使用系数 Service factor (fb)	机型号 Type	电机级数 Motor pole	输出转速 Output speed (r/min)	输出扭矩 Output torque (N.M)	传动比 Ratio (i)	使用系数 Service factor (fb)	机型号 Type	电机级数 Motor pole
0.25KW						0.37KW					
19	80	67.20	2.1	S-47	4P	6.3	345	217.41	1.50		
20	90	63.80	1.70	SA-F-47	4P	7.3	310	190.11	1.70	S-67	4P
24	78	54.59	2.0	SA-A-47	4P	7.6	295	180.60	1.75	SA-F-67	4P
27	68	47.32	2.3	SA-A-F-47	4P	8.7	260	158.45	2.0	SA-A-67	4P
						10	225	134.40	2.3	SA-A-F-67	4P
						11	205	121.33	2.5		
13	108	98.80	0.80			5.7	360	158.12	0.80		
15	96	86.36	0.90			6.6	315	137.05	0.95	S-57	6P
16	91	80.96	0.95			7.0	300	128.10	1.00	SA-F-57	6P
18	81	71.44	1.05			8.1	265	110.73	1.10	SA-A-57	6P
21	73	63.33	1.10	S-37	4P	9.6	230	94.08	1.30	SA-A-F-57	6P
23	78	55.93	1.05	SA-F-37	4P	11	205	84.00	1.45		
25	72	51.30	1.15	SA-A-37	4P						
30	62	43.68	1.30	SA-A-F-37	4P	6.9	305	201.00	0.95		
35	54	37.66	1.45			7.5	285	184.80	1.05		
37	51	35.10	1.55			8.7	245	158.12	1.20		
42	45	30.68	1.70			10	220	137.05	1.35	S-57	4P
45	42	28.76	1.80			11	205	128.10	1.45	SA-F-57	4P
51	37	25.38	2.0			12	180	110.73	1.65	SA-A-57	4P
58	33	22.50	2.2			15	156	94.08	1.90	SA-A-F-57	4P
65	32	19.89	1.65			16	141	84.00	2.1		
71	29	18.24	1.80			19	122	71.75	2.4		
84	25	15.53	2.0			20	139	69.39	1.75		
97	22	13.39	2.3			21	115	67.20	2.5		
104	20	12.48	2.4			22	128	63.80	1.90		
119	18	10.91	2.7								
127	19	10.23	2.8			10	210	137.05	0.80		
144	15	9.02	3.1			11	199	128.10	0.85		
163	13	8.00	3.4			12	175	110.73	0.95		
191	11	6.80	3.8			15	151	94.08	1.10		
						16	137	84.00	1.20		
92	21	28.76	3.0			19	119	71.75	1.40		
105	19	25.38	3.3			20	136	69.39	1.15	S-47	4P
118	17	22.50	3.4			21	112	67.20	1.50	SA-F-47	4P
134	16	19.89	2.8	S-37	2P	22	126	63.80	1.25	SA-A-47	4P
146	15	18.24	3.0	SA-F-37	2P	25	109	54.59	1.40	SA-A-F-47	4P
171	13	15.53	3.4	SA-A-37	2P	29	96	47.32	1.60		
199	11	13.39	3.8	SA-A-F-37	2P	31	90	44.22	1.75		
213	10	12.48	4.0			36	78	38.23	2.0		
						42	67	32.48	2.3		
0.37KW						48	60	29.00	2.6		
0.67	2810	2054	0.90	S87-RF57	4P	56	52	24.77	3.0		
0.76	2490	1824	1.00	SF87-RF57	4P	59	49	23.20	3.1		
0.85	2230	1631	1.10	SA87-RF57	4P	68	46	20.33	2.4		
1.5	1320	930	1.90	SAF87-RF57	4P	78	40	17.62	2.8		
1.7	1190	831	2.1			84	37	16.47	3.0		
1.9	1290	714	0.95			22	103	63.33	0.80		
2.2	1150	637	1.10	S77-RF37	4P	27	101	51.30	0.80		
2.4	1040	574	1.20	SF77-RF37	4P	32	87	43.68	0.95		
2.8	900	499	1.40	SA77-RF37	4P	37	73	37.66	1.05		
3.2	785	438	1.60	SAF77-RF37	4P	39	71	35.10	1.10		
3.5	700	389	1.80			45	63	30.68	1.20		
						48	59	28.76	1.30	S-37	4P
3.8	615	365	0.95	S67-RF37	4P	54	52	25.38	1.40	SA-F-37	4P
4.3	535	319	1.05	SF67-RF37	4P	61	47	22.50	1.55	SA-A-37	4P
4.9	470	281	1.20	SA67-RF37	4P	69	44	19.89	1.20	SA-A-F-37	4P
5.6	425	246	1.35	SAF67-RF37	4P	76	41	18.24	1.30		
						89	35	15.53	1.45		
2.4	980	288.00	2.5	S-87	8P	103	30	13.39	1.60		
2.6	890	258.18	2.8	SA-F-87	8P	111	28	12.48	1.70		
3.1	775	222.40	3.2	SA-A-87	8P	127	25	10.91	1.95		
				SA-A-F-87	8P	135	23	10.23	2.0		
						153	21	9.02	2.2		
3.0	735	225.26	1.75	S-77	6P	173	18	8.00	2.5		
3.2	700	214.00	1.80	SA-F-77	6P	203	16	6.80	2.7		
3.6	630	189.09	2.0	SA-A-77	6P						
4.2	545	161.60	2.3	SA-A-F-77	6P						
4.1	505	217.41	1.10	S-67	6P						
4.7	450	190.11	1.25	SA-F-67	6P						
5.0	430	180.60	1.30	SA-A-67	6P						
5.7	380	158.45	1.45	SA-A-F-67	6P						

输出转速 Output speed (r/min)	输出扭矩 Output torque (N.M)	传动比 Ratio (i)	使用系数 Service factor (fB)	机型号 Type	电机级数 Motor pole	输出转速 Output speed (r/min)	输出扭矩 Output torque (N.M)	传动比 Ratio (i)	使用系数 Service factor (fB)	机型号 Type	电机级数 Motor pole
0.55KW						0.75KW					
264	18	10.23	2.1	S-37	2P	10	460	134.40	1.15		
299	16	9.02	2.2	SA-F-37	2P	11	420	121.33	1.25		
338	14	8.00	2.5	SA-A-37	2P	13	375	106.75	1.40		
397	12	6.80	2.4	SA-A-F-37	2P	14	355	100.80	1.40	S-67	4P
0.75KW						16	305	85.83	1.70	SA-F-67	4P
1.1	4840	1223	0.85			18	310	75.06	1.55	SA-A-67	4P
1.3	4240	1070	1.00			21	275	65.63	1.75	SA-A-F-67	4P
1.5	3650	928	1.15	S97-RF57	4P	22	260	62.35	1.85		
1.7	3230	824	1.30	SF97-RF57	4P	25	230	54.70	2.1		
1.9	2300	714	1.85	SA97-RF57	4P	30	198	46.40	2.4		
2.2	2450	626	1.70	SAF97-RF57	4P						
2.6	2110	538	2.0			13	365	71.75	0.80		
2.8	1900	484	2.2			13	345	67.20	0.85	S-57	6P
						16	295	56.61	1.00	SA-F-57	6P
						19	295	47.32	0.90	SA-A-57	6P
						20	275	44.22	1.00	SA-A-F-57	6P
1.3	3030	1032	0.85								
1.5	2780	930	0.90			12	365	110.73	0.80		
1.7	2510	831	1.00	S87-RF57	4P	15	315	94.08	0.95		
1.9	2190	719	1.15	SF87-RF57	4P	16	285	84.00	1.05		
2.2	1920	624	1.30	SA87-RF57	4P	19	250	71.75	1.15		
2.5	1730	558	1.45	SAF87-RF57	4P	21	235	67.20	1.20		
3.2	1390	435	1.75			25	225	54.59	1.10		
4.3	1060	323	2.3			29	197	47.32	1.20	S-57	4P
						31	185	44.22	1.35	SA-F-57	4P
4.2	1240	327	1.00	S77-RF37	4P	36	167	38.23	1.50	SA-A-57	4P
4.8	1110	289	1.10	SF77-RF37	4P	42	138	32.48	1.80	SA-A-F-57	4P
5.5	960	250	1.30	SA77-RF37	4P	48	124	29.00	2.0		
6.3	850	219	1.45	SAF77-RF37	4P	56	107	24.77	2.3		
						59	100	23.20	2.5		
						68	93	20.33	1.80		
						78	81	17.62	2.1		
						84	76	16.47	2.2		
						97	66	14.24	2.6		
						29	194	47.32	0.80		
						31	182	44.22	0.85		
						36	159	38.23	1.00		
						42	136	32.48	1.15		
						48	122	29.00	1.25		
						56	106	24.77	1.45		
						59	99	23.20	1.55	S-47	4P
						68	93	20.33	1.20	SA-F-47	4P
						78	81	17.62	1.35	SA-A-47	4P
						84	76	16.47	1.45	SA-A-F-47	4P
						97	66	14.24	1.65		
						114	56	12.10	1.95		
						128	50	10.80	2.2		
						150	43	9.23	2.5		
						160	41	8.64	2.7		
						190	34	7.28	3.0		
						72	81	19.13	0.85		
						111	57	12.48	0.85	S-37	4P
						127	50	10.91	0.95	SA-F-37	4P
						135	47	10.23	1.00	SA-A-37	4P
						153	42	9.02	1.10	SA-A-F-37	4P
						173	37	8.00	1.20		
						203	32	6.80	1.35		
						141	43	19.13	1.05		
						174	37	15.53	1.15		
						202	32	13.39	1.30	S-37	2P
						216	30	12.48	1.35	SA-F-37	2P
						248	26	10.91	1.50	SA-A-37	2P
						264	25	10.23	1.55	SA-A-F-37	2P
						299	22	9.02	1.65		
						338	19	8.00	1.80		
						397	17	6.80	1.75		



S系列 斜齿轮 - 蜗轮蜗杆减速电机

S Series Helical-worm Gear Units

输出转速 Output speed (r/min)	输出扭矩 Output torque (N.M)	传动比 Ratio (i)	使用系数 Service factor (fB)	机型号 Type	电机级数 Motor pole	输出转速 Output speed (r/min)	输出扭矩 Output torque (N.M)	传动比 Ratio (i)	使用系数 Service factor (fB)	机型号 Type	电机级数 Motor pole
1.1KW						1.1KW					
1.7	4720	824	0.90			20	360	71.75	0.80		
2.0	3370	714	1.25	S97-RF57	4P	21	340	67.20	0.85		
2.2	3590	626	1.15	SF97-RF57	4P	25	290	56.61	0.90		
2.6	3090	538	1.35	SA97-RF57	4P	30	285	47.32	0.85		
2.9	2790	484	1.50	SAF97-RF57	4P	32	265	44.22	0.90		
3.3	2430	420	1.75			37	235	38.23	1.05		
						43	200	32.48	1.25	S-57	4P
2.2	2820	624	0.90			48	179	29.00	1.35	SA-F-57	4P
2.5	2550	558	1.00			57	154	24.77	1.60	SA-A-57	4P
2.9	2240	485	1.10			60	145	23.20	1.70	SA-A-F-57	4P
3.2	2040	435	1.20	S87-RF57	4P	72	123	19.45	1.75		
3.7	1790	378	1.35	SF87-RF57	4P	79	117	17.62	1.45		
4.3	1560	323	1.55	SA87-RF57	4P	85	110	16.47	1.55		
5.0	1370	281	1.75	SAF87-RF57	4P	98	95	14.24	1.75		
5.5	1460	255	1.35			116	82	12.10	2.1		
6.3	1280	222	1.55			130	73	10.80	2.3		
6.8	1200	205	1.65			152	63	9.23	2.7		
6.4						6.4					
	1240	219	1.00	S77-RF37	4P	48	177	29.00	0.90		
				SF77-RF37	4P	57	153	24.77	1.00		
				SA77-RF37	4P	60	143	23.20	1.05		
				SAF77-RF37	4P	72	122	19.54	1.20	S-47	4P
2.4	3030	286.40	1.40	S-97	8P	79	117	17.62	0.95	SA-F-47	4P
2.6	2800	262.22	1.50	SA-F-97	8P	85	109	16.47	1.00	SA-A-47	4P
2.9	2500	231.67	1.70	SA-A-97	8P	98	95	14.24	1.15	SA-A-F-47	4P
3.5	2160	196.52	1.95	SA-A-F-97	8P	116	81	12.10	1.35		
3.2	2310	286.40	1.80	S-97	6P	130	73	10.80	1.50		
3.5	2130	262.22	1.95	SA-F-97	6P	152	63	9.23	1.75		
4.0	1900	231.67	2.2	SA-A-97	6P	162	59	8.64	1.85		
				SA-A-F-97	6P	192	50	7.28	2.1		
3.2	2220	288.00	1.10	S-87	6P					S-37	4P
3.6	2010	258.18	1.20	SA-F-87	6P	175	54	8.00	0.85	SA-F-37	4P
4.1	1760	222.40	1.35	SA-A-87	6P	206	46	6.80	0.95	SA-A-37	4P
4.5	1620	202.96	1.45	SA-A-F-87	6P					SA-A-F-37	4P
4.9	1520	288.00	1.50			202	47	13.39	0.85		
5.4	1370	228.18	1.65	S-87	4P	216	44	12.48	0.90	S-37	2P
6.3	1200	222.40	1.90	SA-F-87	4P	248	39	10.91	1.00	SA-F-37	2P
6.9	1100	202.96	2.0	SA-A-87	4P	264	36	10.23	1.05	SA-A-37	2P
7.8	990	180.00	2.2	SA-A-F-87	4P	299	32	9.02	1.10	SA-A-F-37	2P
9.2	840	151.30	2.5			338	28	8.00	1.25		
						397	24	6.80	1.20		
1.5KW						1.5KW					
6.2	1150	225.26	1.10			2.0	4590	714	0.90		
6.5	1100	214.00	1.15			2.2	4890	626	0.85		
7.4	980	189.09	1.30			2.6	4220	538	1.00	S97-RF57	4P
8.7	850	161.60	1.50	S-77	4P	2.9	3810	484	1.10	SF97-RF57	4P
9.4	785	148.15	1.60	SA-F-77	4P	3.4	3310	420	1.25	SA97-RF57	4P
11	695	130.00	1.75	SA-A-77	4P	3.8	2990	376	1.40	SAF97-RF57	4P
11	665	123.20	1.80	SA-A-F-77	4P	4.3	2630	327	1.60		
13	585	107.83	2.0								
14	535	97.14	2.1								
16	470	85.22	2.3								
12	605	121.33	0.85			2.9	3060	485	0.80		
13	540	106.75	0.95			3.2	2780	435	0.90		
14	515	100.80	1.00			3.7	2450	378	1.00	S87-RF57	4P
16	445	85.83	1.15			4.4	2130	323	1.15	SF87-RF57	4P
18	405	78.00	1.30	S-67	4P	5.0	1870	281	1.30	SA87-RF57	4P
21	400	65.63	1.20	SA-F-67	4P	5.5	2000	255	1.00	SAF87-RF57	4P
22	380	62.35	1.25	SA-A-67	4P	6.3	1750	222	1.15		
26	335	54.70	1.45	SA-A-F-67	4P	6.9	1630	205	1.20		
30	285	46.40	1.65								
33	260	41.89	1.85			2.4	4030	286.40	1.05	S-97	8P
38	230	36.85	2.1			2.7	3720	262.22	1.15	SA-F-97	8P
40	220	34.80	2.2			3.0	3330	231.67	1.25	SA-A-97	8P
47	187	29.63	2.6			3.6	2870	196.52	1.45	SA-A-F-97	8P

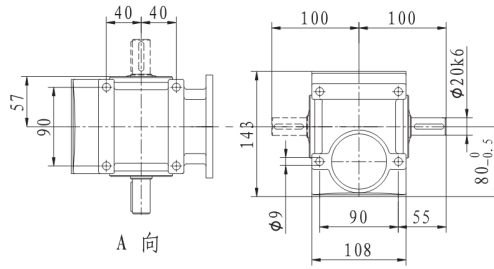
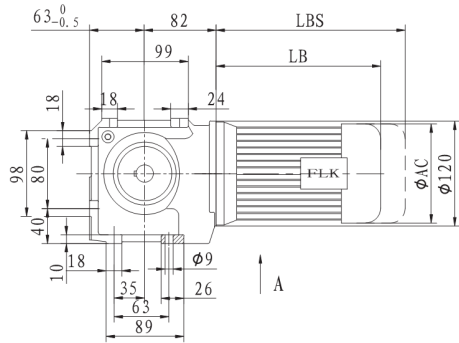


输出转速 Output speed (r/min)	输出扭矩 Output torque (N.M)	传动比 Ratio (i)	使用系数 Service factor (fb)	机型号 Type	电机级数 Motor pole	输出转速 Output speed (r/min)	输出扭矩 Output torque (N.M)	传动比 Ratio (i)	使用系数 Service factor (fb)	机型号 Type	电机级数 Motor pole
1.5KW						1.5KW					
3.2	3150	286.40	1.35	S-97	6P	99	129	14.24	1.30	S-57	4P
3.5	2910	262.22	1.45	SA-F-97	6P	117	110	12.10	1.55	SA-F-57	4P
4.0	2600	231.67	1.60	SA-A-97	6P	131	99	10.80	1.70	SA-A-57	4P
4.7	2230	196.52	1.90	SA-A-F-97	6P	153	85	9.23	2.0	SA-A-F-57	4P
4.9	2130	286.40	1.90	S-97	4P	99	129	14.24	0.85		
5.4	1970	262.22	2.0	SA-F-97	4P	117	110	12.10	1.00	S-47	4P
6.1	1760	231.67	2.3	SA-A-97	4P	131	99	10.80	1.10	SA-F-47	4P
7.2	1510	196.52	2.7	SA-A-F-97	4P	153	85	9.23	1.30	SA-A-47	4P
3.6	2740	258.18	0.90	S-87	6P	163	79	8.64	1.35	SA-A-F-47	4P
4.1	2390	222.40	1.00	SA-F-87	6P	194	67	7.28	1.55		
4.5	2200	202.96	1.10	SA-A-87	6P	299	44	9.02	0.85	S-37	2P
5.1	1980	180.00	1.20	SA-A-F-87	6P	338	39	8.00	0.90	SA-F-37	2P
4.9	2060	288.00	1.10			397	33	6.80	0.90	SA-A-37	2P
5.5	1860	258.18	1.20							SA-A-F-37	2P
6.3	1630	222.40	1.40			2.2KW					
6.9	1500	202.96	1.50	S-87	4P	3.4	4900	420	0.85	S97-RF57	4P
7.8	1340	180.00	1.65	SA-F-87	4P	3.8	4410	376	0.95	SF97-RF57	4P
9.3	1140	151.30	1.90	SA-A-87	4P	4.3	3870	327	1.10	SA97-RF57	4P
10	1060	139.05	2.0	SA-A-F-87	4P	4.9	3420	287	1.25	SAF97-RF57	4P
11	950	123.48	2.2			5.6	3000	252	1.40		
13	850	110.40	2.3			3.3	4530	286.40	0.95	S-97	6P
14	770	99.26	2.5			3.6	4180	262.22	1.00	SA-F-97	6P
7.5	1330	189.09	0.95			4.1	3730	231.67	1.15	S-A-97	6P
8.7	1150	161.60	1.10			4.8	3210	196.52	1.30	SA-A-F-97	6P
9.5	1060	148.15	1.15			4.9	3130	286.40	1.30		
11	940	130.00	1.30			5.4	2890	262.22	1.40		
11	900	123.20	1.35			6.1	2570	231.67	1.55		
13	795	107.83	1.45	S-77	4P	7.2	2210	196.52	1.80	S-97	4P
15	725	97.14	1.60	SA-F-77	4P	7.8	2050	180.95	1.90	SA-F-97	4P
17	640	85.22	1.70	SA-A-77	4P	8.7	1840	161.74	2.1	SA-A-97	4P
19	650	75.09	1.70	SA-A-F-77	4P	9.7	1670	145.60	2.2	SA-A-F-97	4P
20	620	71.33	1.80			11	1520	131.85	2.4		
21	510	66.67	2.0			12	1360	116.92	2.6		
22	550	63.03	2.0			13	1240	105.71	2.8		
25	440	56.92	2.3			16	1060	89.60	3.1		
26	470	53.87	2.3			5.5	2730	258.18	0.85		
29	435	49.38	2.5			6.3	2380	222.40	0.95		
33	385	43.33	2.9			6.9	2190	202.96	1.05		
16	600	85.83	0.85			7.8	1970	180.00	1.10		
18	550	78.00	0.95			9.3	1680	151.30	1.30	S-87	4P
21	540	65.63	0.90			10	1550	139.05	1.35	SA-F-87	4P
23	515	62.35	1.95			11	1390	123.48	1.50	SA-A-87	4P
26	455	54.70	1.05			13	1250	110.40	1.60	SA-A-F-87	4P
30	390	46.40	1.25			14	1130	99.26	1.75		
34	355	41.89	1.36	S-67	4P	16	1030	86.15	1.90		
38	310	36.85	1.55	SA-F-67	4P	17	990	81.76	1.50		
41	295	34.80	1.60	SA-A-67	4P	18	890	77.14	2.0		
48	255	29.63	1.90	SA-A-F-67	4P	20	920	70.43	1.75		
52	230	26.93	2.1			22	840	64.27	1.90		
58	220	24.44	1.55			25	750	57.00	2.1		
61	210	23.22	1.60			11	1390	130.00	0.85		
69	186	20.37	1.85			11	1320	123.20	0.90		
82	159	17.28	2.1			13	1170	107.83	1.00		
90	144	15.60	2.4			15	1060	97.14	1.10		
103	127	13.73	2.7			17	940	85.22	1.15	S-77	4P
43	270	32.48	0.90			19	840	75.20	1.30	SA-F-77	4P
49	245	29.00	1.00	S-57	4P	21	745	66.67	1.40	SA-A-77	4P
57	210	24.77	1.15	SA-F-57	4P	22	810	63.03	1.35	SA-A-F-77	4P
61	196	23.20	1.25	SA-A-57	4P	25	645	56.92	1.55		
72	167	19.54	1.30	SA-A-F-57	4P	26	695	53.87	1.60		
80	159	17.62	1.05			29	635	49.38	1.75		
86	149	16.47	1.15			33	560	43.33	1.95		
						34	535	41.07	2.1		

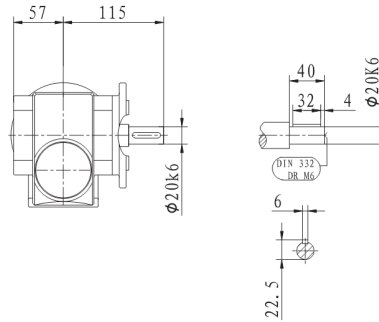
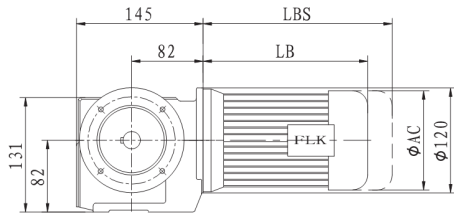
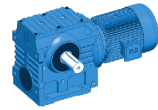
输出转速 Output speed (r/min)	输出扭矩 Output torque (N.M)	传动比 Ratio (i)	使用系数 Service factor (fB)	机型号 Type	电机级数 Motor pole	输出转速 Output speed (r/min)	输出扭矩 Output torque (N.M)	传动比 Ratio (i)	使用系数 Service factor (fB)	机型号 Type	电机级数 Motor pole
4.0KW						5.5KW					
32	1060	44.03	1.05			35	1320	41.07	0.85		
36	940	39.10	1.70	S-87	4P	40	1160	35.94	0.95		
41	840	34.96	1.90	SA-F-87	4P	44	1050	32.38	1.05		
45	760	31.43	2.1	SA-A-87	4P	50	920	28.41	1.15		
52	665	27.28	2.4	SA-A-F-87	4P	57	820	25.07	1.25		
56	635	25.50	1.95			64	125	22.22	1.35	S-77	4P
						78	625	18.41	1.15	SA-F-77	4P
						82	590	17.45	1.20	SA-A-77	4P
25	1160	56.92	0.85			94	520	15.28	1.35	SA-A-F-77	4P
26	1250	53.87	0.90			104	470	13.76	1.50		
29	1150	49.38	0.95			118	410	12.07	1.75		
33	1020	43.33	1.10			134	365	10.65	2.0		
35	960	41.07	1.15			151	325	9.44	2.2		
40	850	35.94	1.30			177	275	8.06	2.5		
44	765	32.38	1.40	S-77	4P						
50	675	28.41	1.55	SA-F-77	4P	130	370	11.03	0.90	S-67	4P
57	600	25.07	1.70	SA-A-77	4P	143	340	10.03	1.00	SA-F-67	4P
62	565	22.89	1.25	SA-A-F-77	4P	165	295	8.69	1.15	SA-A-67	4P
68	520	20.99	1.35			189	255	7.56	1.15	SA-A-F-67	4P
77	455	18.42	1.55								
81	435	17.45	1.65			7.5KW					
93	380	15.28	1.85			14	4160	105.71	0.85		
103	345	13.76	2.1			16	3560	89.60	0.90		
118	300	12.07	2.4			18	3130	78.26	1.00		
133	265	10.65	2.7			20	3200	71.43	1.05		
150	235	9.44	3.1			22	2630	65.45	1.10		
176	205	8.06	3.3			24	2730	60.59	1.20	S-97	4P
						26	2520	55.79	1.30	SA-F-97	4P
82	420	17.28	0.80			29	2260	49.87	1.45	SA-A-97	4P
91	380	15.60	0.90	S-67	4P	32	2040	44.89	1.60	SA-A-F-97	4P
103	335	13.73	1.00	SA-F-67	4P	35	1850	40.65	1.80		
110	320	12.96	1.05	SA-A-67	4P	40	1650	36.05	2.0		
129	270	11.03	1.25	SA-A-F-67	4P	44	1490	32.60	2.2		
142	245	10.03	1.35			54	1240	26.39	2.1		
163	215	8.69	1.55			61	1110	23.59	2.3		
188	188	7.56	1.55			67	1000	21.23	2.6		
						74	910	19.23	2.9		
5.5KW						5.5KW					
8.8	4550	161.74	0.85			32	1970	44.03	0.80		
9.8	4130	145.60	0.90			37	1750	39.10	0.90		
11	3760	131.85	0.95			41	1570	34.96	1.00		
12	3360	116.92	1.05			45	1420	31.43	1.15		
14	3050	105.71	1.15	S-97	4P	52	1230	27.28	1.30	S-87	4P
16	2610	89.60	1.25	SA-F-97	4P	56	1180	25.50	1.05	SA-F-87	4P
18	2290	78.26	1.35	SA-A-97	4P	67	1000	21.43	1.25	SA-A-87	4P
20	2350	71.43	1.40	SA-A-F-97	4P	73	920	19.70	1.35	SA-A-F-87	4P
22	1930	65.45	1.50			82	820	17.49	1.50		
24	2000	60.59	1.65			91	730	15.64	1.70		
26	1850	55.79	1.80			102	660	14.06	1.90		
29	1660	49.87	2.0			117	676	12.21	2.2		
32	1500	44.89	2.2			131	616	10.93	2.4		
35	1360	40.65	2.4			158	430	9.07	2.7		
						181	375	7.88	2.7		
19	2200	77.14	0.85			50	1260	28.41	0.85		
22	1850	64.00	0.90			57	1110	25.07	0.90		
25	1850	57.00	1.85			64	990	22.22	1.00		
30	1560	47.91	1.00			78	850	18.42	0.85	S-77	4P
32	1440	44.03	1.10			82	810	17.45	0.90	SA-F-77	4P
37	1280	39.10	1.25	S-87	4P	94	705	15.28	1.00	SA-A-77	4P
41	1150	34.96	1.40	SA-F-87	4P	104	640	13.76	1.10	SA-A-F-77	4P
45	1040	31.43	1.55	SA-A-87	4P	118	650	12.07	1.30		
52	910	27.28	1.75	SA-A-F-87	4P	134	495	10.65	1.45		
56	870	25.50	1.45			151	440	9.44	1.65		
67	730	21.43	1.70			177	380	8.06	1.80		
73	675	19.70	1.85								
82	600	17.49	2.1								
91	535	15.64	2.3								
102	485	14.06	2.6								
117	420	12.21	3.0								
131	375	10.93	3.3								

输出转速 Output speed (r/min)	输出扭矩 Output torque (N. M)	传动比 Ratio (i)	使用系数 Service factor (fB)	机型号 Type	电机级数 Motor pole	输出转速 Output speed (r/min)	输出扭矩 Output torque (N. M)	传动比 Ratio (i)	使用系数 Service factor (fB)	机型号 Type	电机级数 Motor pole
11. 0KW						22KW					
26	3670	55.79	0.90			53	3630	27.63	0.85		
29	3290	49.87	1.00			61	3180	24.13	0.90		
32	2970	44.89	1.10			69	2870	21.23	0.90		
35	2700	40.65	1.20			76	2600	19.23	1.00	S-97	4P
40	3400	36.05	1.40	S-97	4P	86	2310	17.05	1.10	SA-F-97	4P
44	2170	32.60	1.45	SA-S-97	4P	95	2090	15.42	1.20	SA-A-97	4P
55	1810	26.39	1.45	SA-A-97	4P	112	1780	13.07	1.30	SA-A-F-97	4P
61	1620	23.59	1.60	SA-A-F-97	4P	128	1560	11.41	1.40		
68	1460	21.23	1.80			153	1300	9.55	1.55		
75	1320	19.23	1.95			177	1130	8.26	1.55		
84	1180	17.05	2.2								
93	1070	15.42	2.3								
110	900	13.07	2.6								
126	790	11.41	2.8								
53	1800	27.28	0.90								
59	1610	24.43	1.00								
71	1340	20.27	1.20								
73	1340	19.70	0.95								
82	1190	17.49	1.05	S-87	4P						
92	1070	15.64	1.15	SA-F-87	4P						
102	960	14.06	1.30	SA-A-87	4P						
118	840	12.21	1.50	SA-A-F-87	4P						
132	750	10.93	1.65								
159	625	9.07	1.85								
183	545	7.88	1.85								
15. 0KW											
33	4000	44.89	0.85								
36	3630	40.65	0.90								
41	3230	36.05	1.00								
45	2920	32.60	1.10								
55	2430	26.39	1.05								
62	2180	23.59	1.20	S-97	4P						
65	1970	21.23	1.30	SA-F-97	4P						
76	1780	19.23	1.45	SA-A-97	4P						
86	1580	17.05	1.60	SA-A-F-97	4P						
95	1430	15.42	1.70								
112	1220	1.307	1.90								
128	1030	11.41	2.1								
153	890	9.55	2.3								
177	775	8.26	2.3								
93	1430	15.64	0.85								
104	1290	14.06	0.95	S-87	4P						
120	1120	12.21	1.10	SA-F-87	4P						
134	1010	10.93	1.25	SA-A-87	4P						
161	840	9.07	1.35	SA-A-F-87	4P						
185	730	7.88	1.40								
18. 5KW											
41	3970	36.05	0.85								
45	3590	32.60	0.90								
53	3060	27.63	1.00								
61	2680	24.13	1.05	S-97	4P						
69	2420	21.23	1.10	SA-F-97	4P						
76	2190	19.23	1.20	SA-A-97	4P						
86	1950	17.05	1.30	SA-A-F-97	4P						
95	1760	15.42	1.40								
112	1500	13.07	1.55								
128	1310	11.41	1.70								
153	1100	9.55	1.85								
177	950	8.26	1.85								

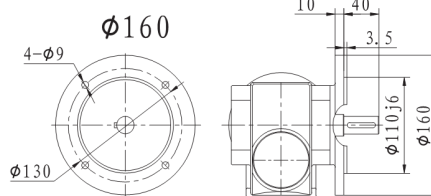
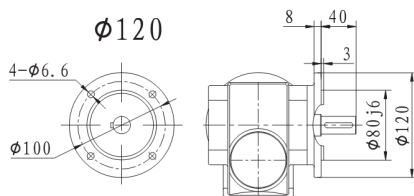
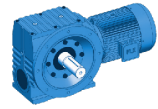
S



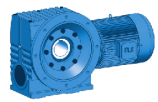
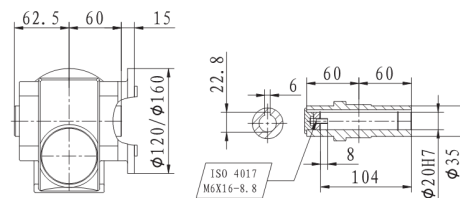
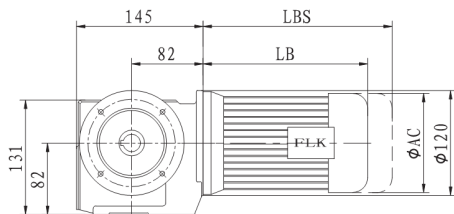
S-37



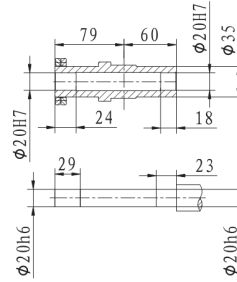
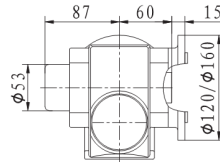
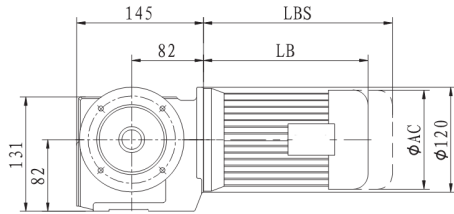
SA-F-37
($\phi 120/\phi 160$)



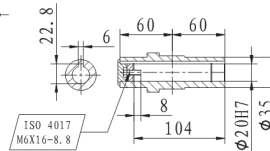
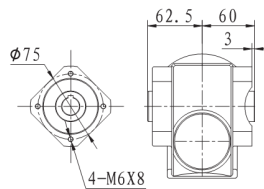
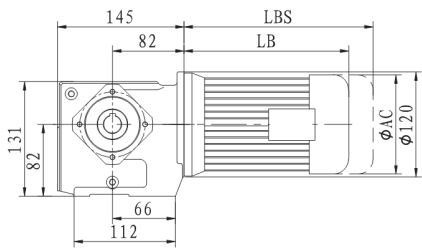
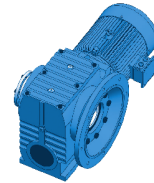
SA-A-F-37



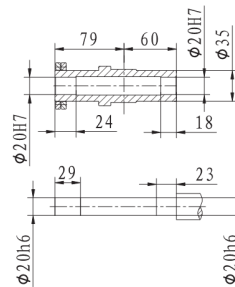
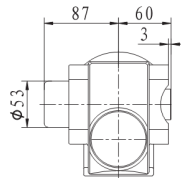
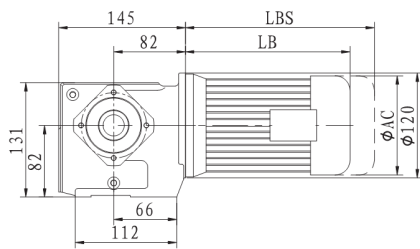
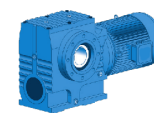
未标注尺寸可相互参照



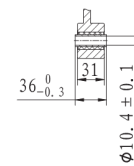
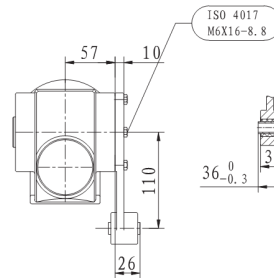
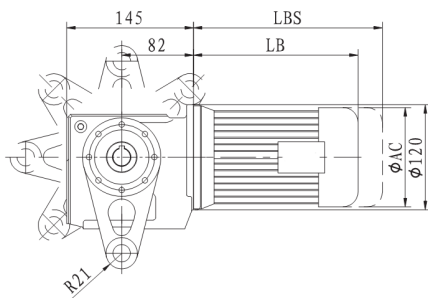
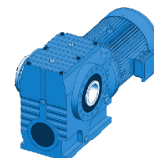
SA-H-F-37



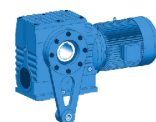
SA-A-37



SA-H-37

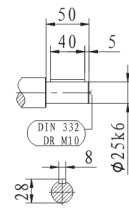
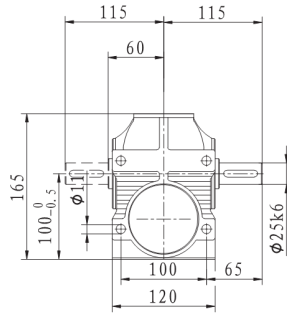
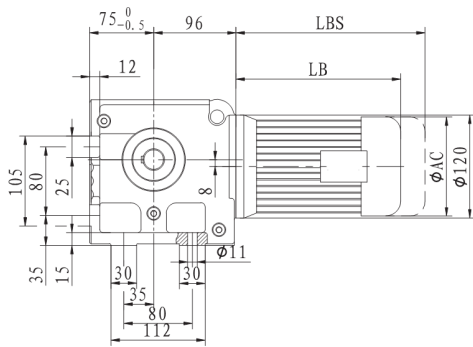


SA-A-T-37

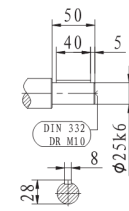
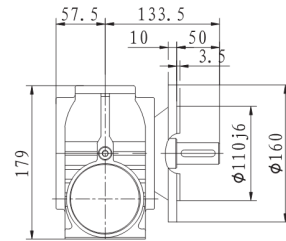
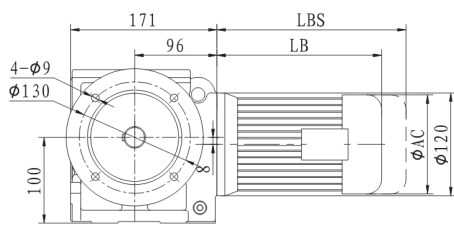
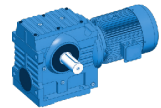


未标注尺寸可相互参照

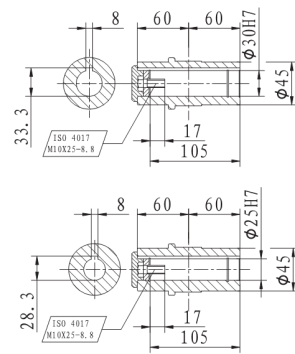
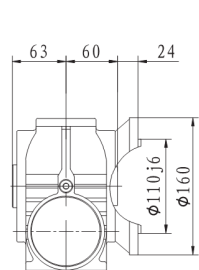
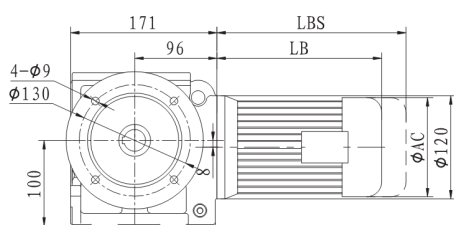




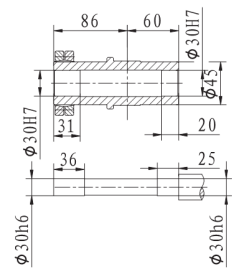
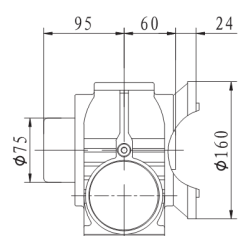
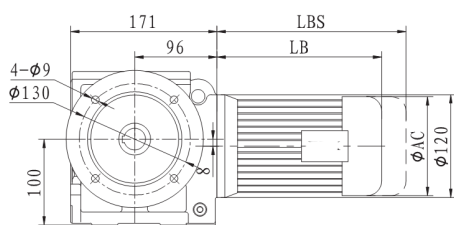
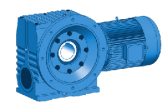
S-47



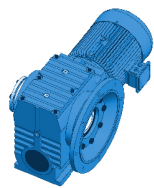
SA-F-47



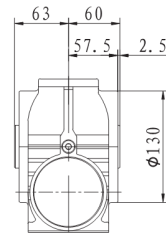
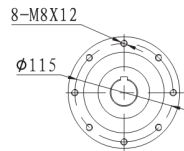
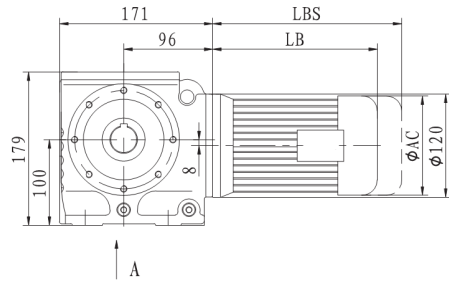
SA-A-F-47
(φ30/φ25)



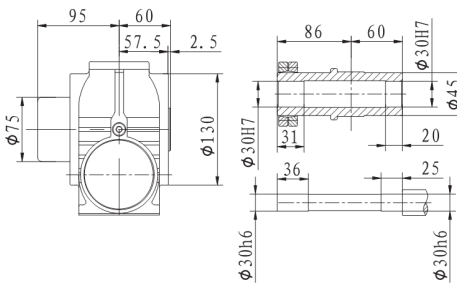
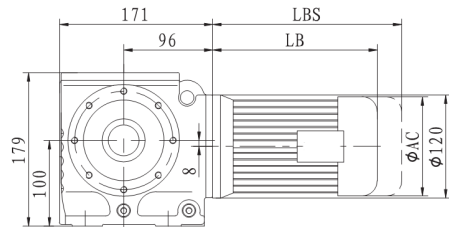
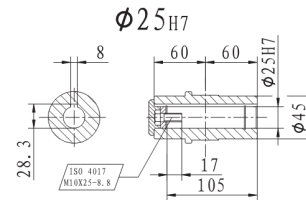
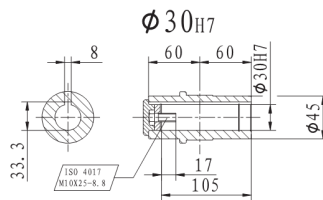
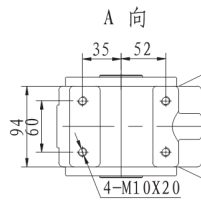
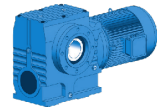
SA-H-F-47



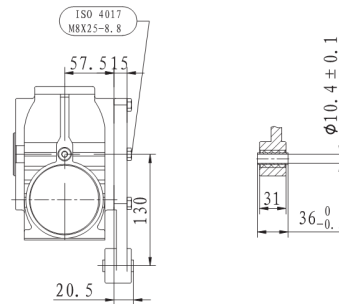
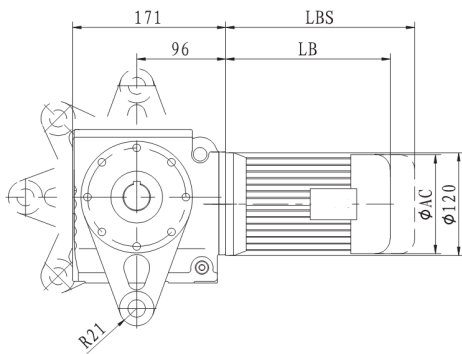
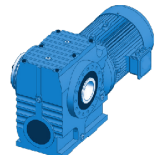
未标注尺寸可相互参照



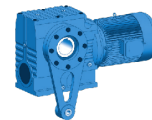
SA-A-47
($\phi 30/\phi 25$)



SA-H-47

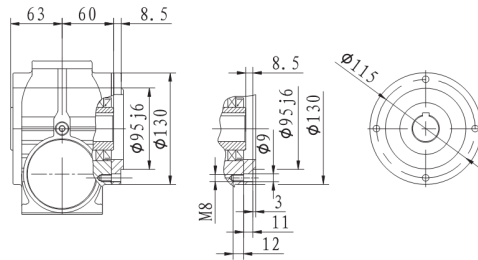
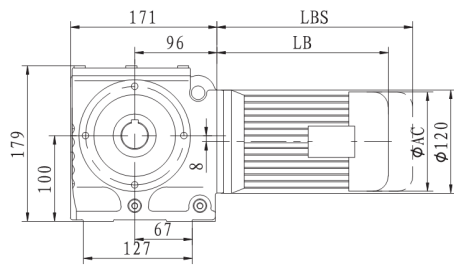


SA-A-T-47
($\phi 30/\phi 25$)

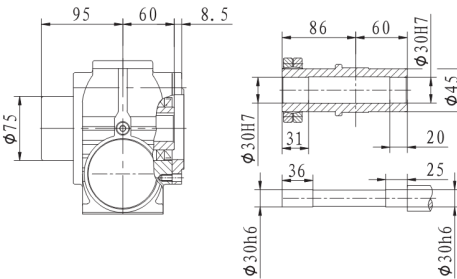
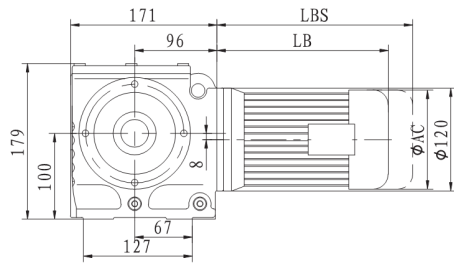
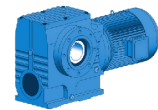


未标注尺寸可相互参照

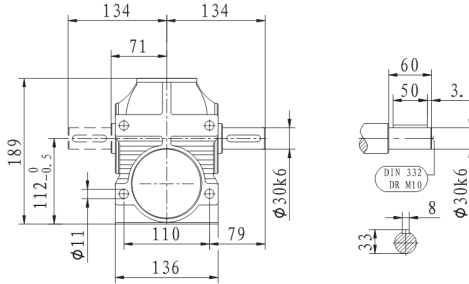
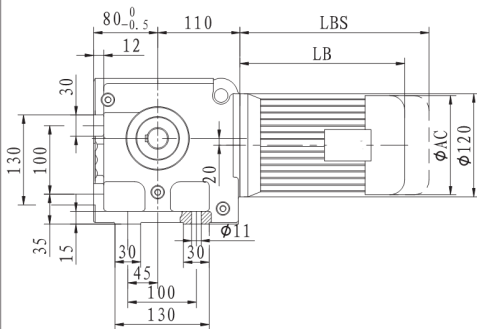
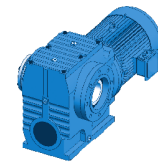




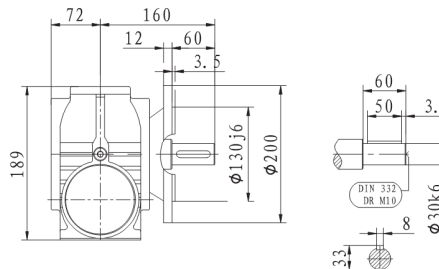
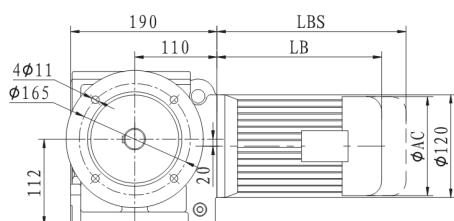
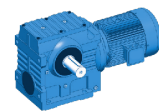
SA-A-Z-47
($\phi 30/\phi 25$)



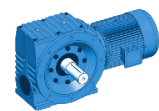
SA-H-Z-47



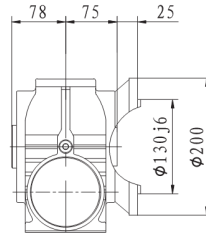
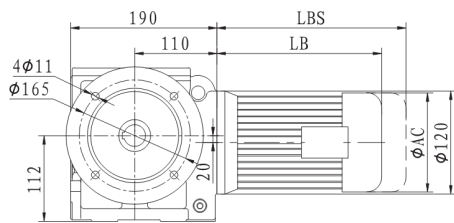
S-57



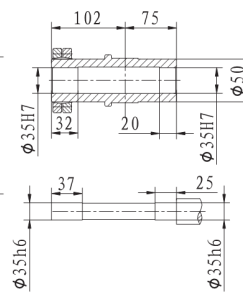
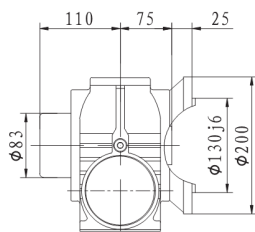
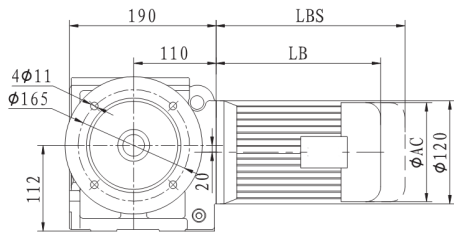
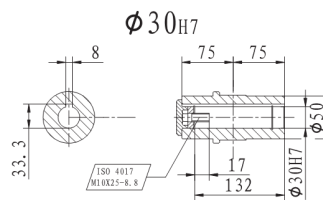
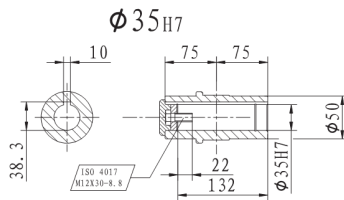
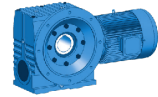
SA-F-57



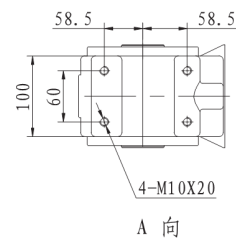
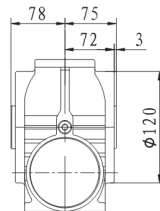
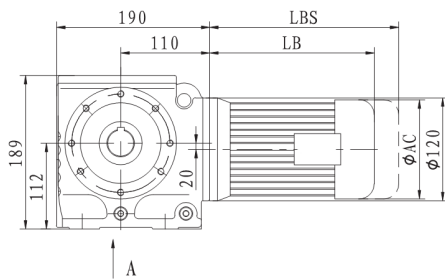
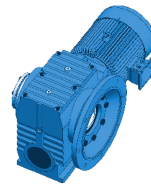
未标注尺寸可相互参照



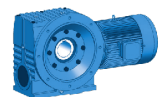
SA-A-F-57
(φ35/φ30)



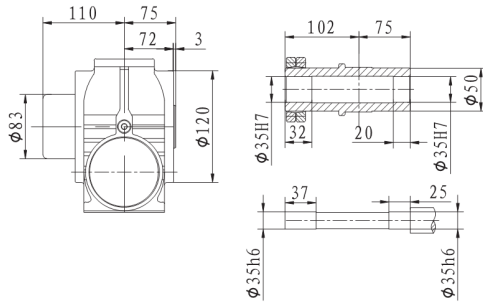
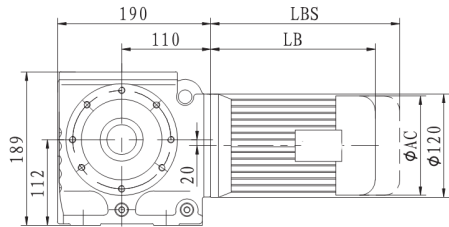
SA-H-F-57



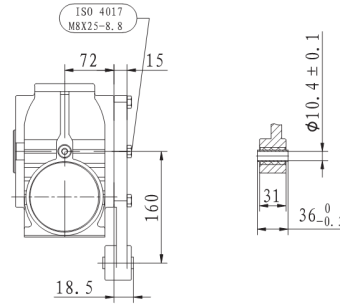
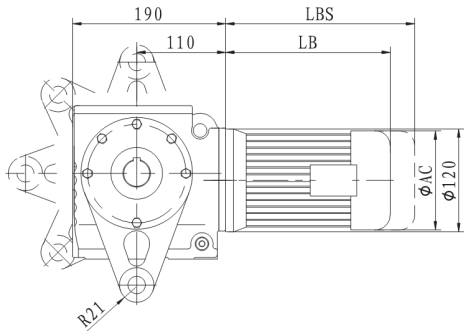
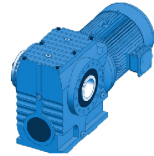
SA-A-57
(φ35/φ30)



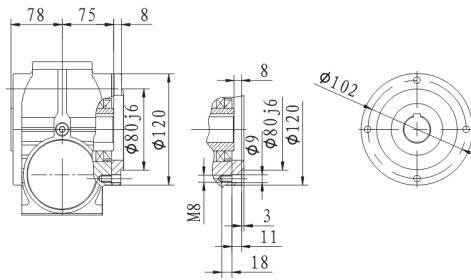
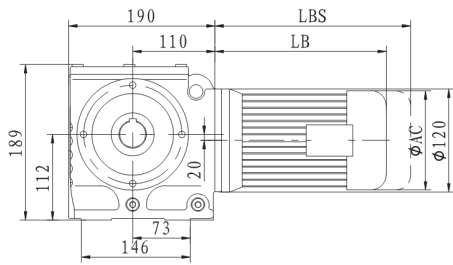
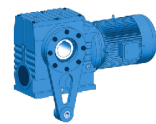
未标注尺寸可相互参照



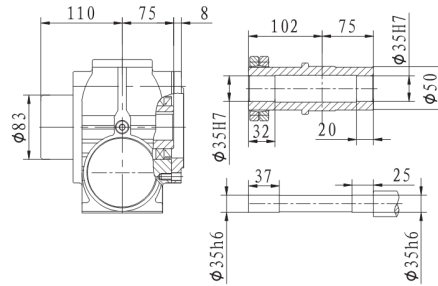
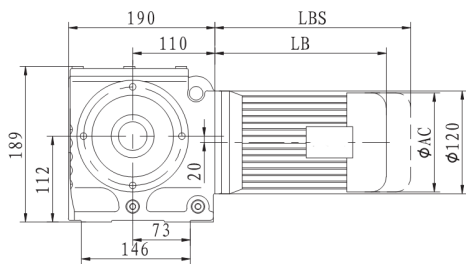
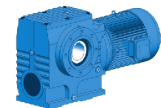
SA-H-57



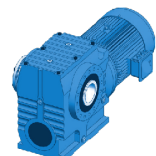
SA-A-T-57
(φ35/φ30)



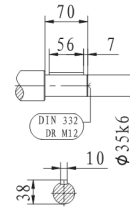
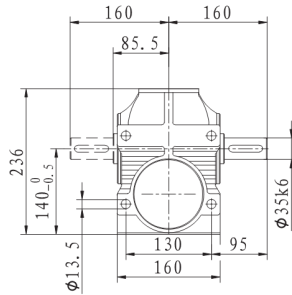
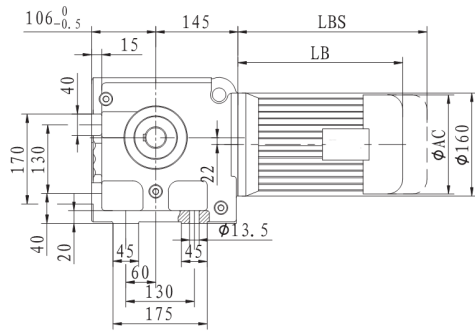
SA-A-Z-57
(φ35/φ30)



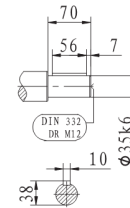
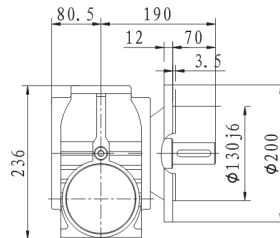
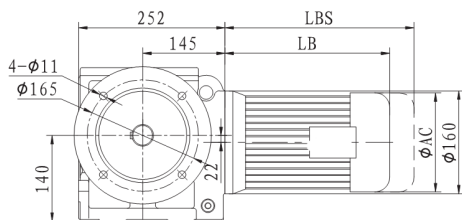
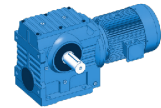
SA-H-Z-57



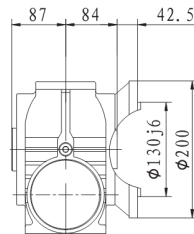
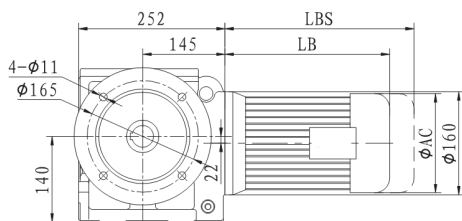
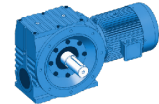
未标注尺寸可相互参照



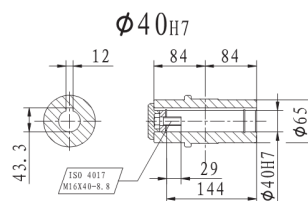
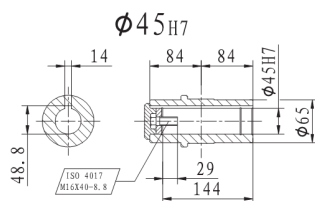
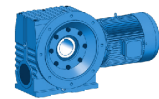
S-67



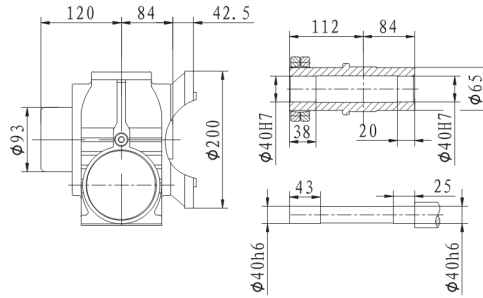
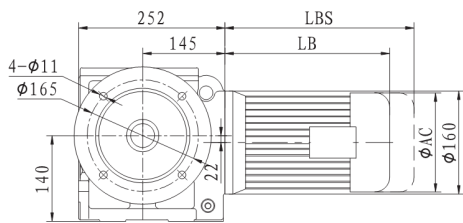
SA-F-67



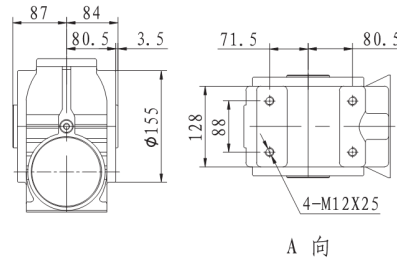
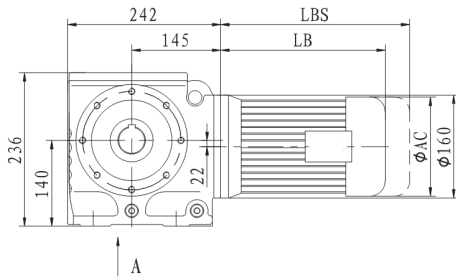
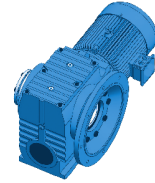
SA-A-F-67
($\phi 45/\phi 40$)



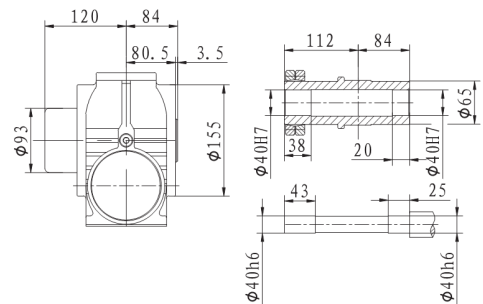
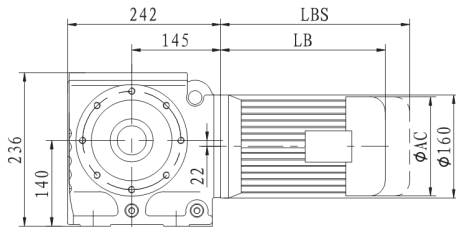
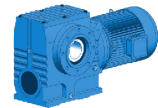
未标注尺寸可相互参照



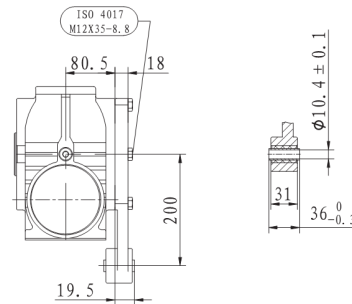
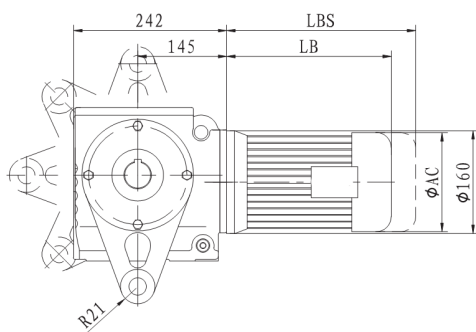
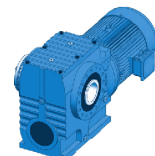
SA-H-F-67



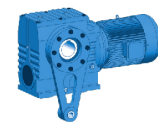
SA-A-67
(φ45/φ40)



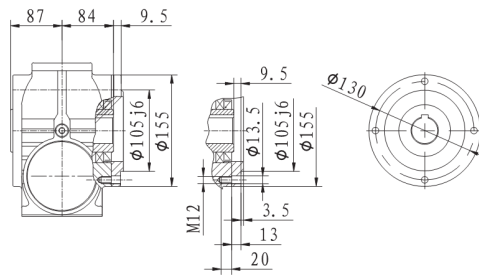
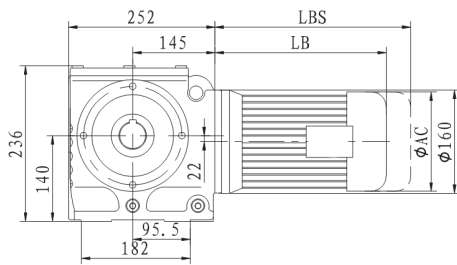
SA-H-67



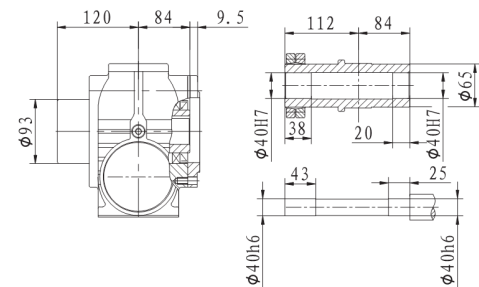
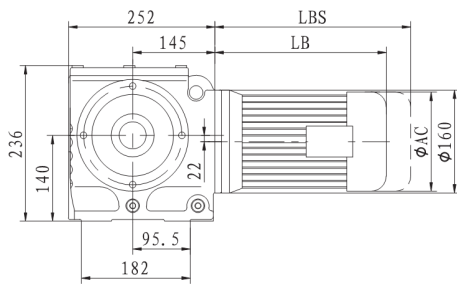
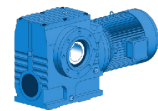
SA-A-T-67
(φ45/φ40)



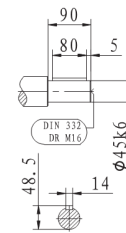
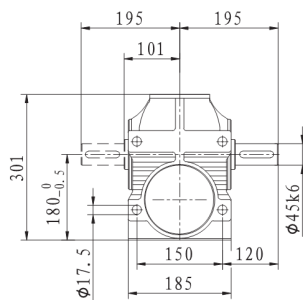
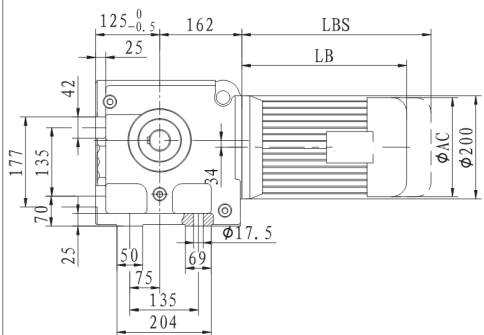
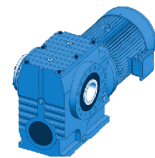
未标注尺寸可相互参照



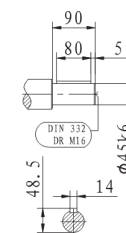
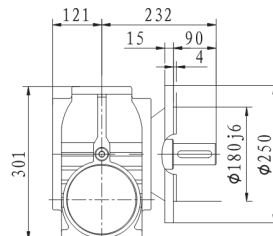
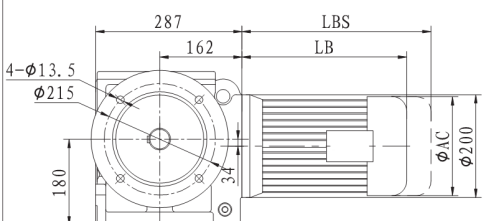
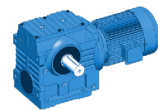
SA-A-Z-67
(φ45/φ40)



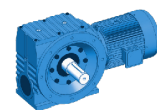
SA-H-Z-67



S-77

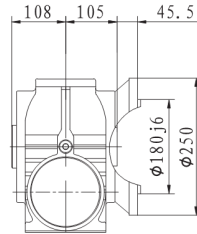
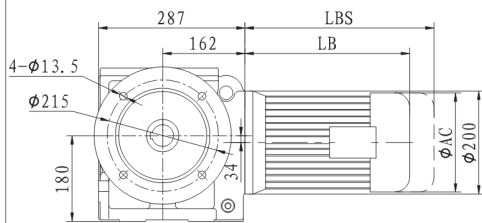


SA-F-77

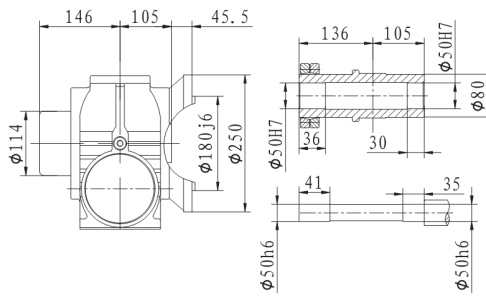
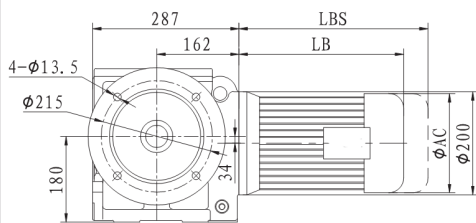
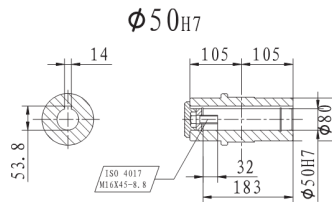
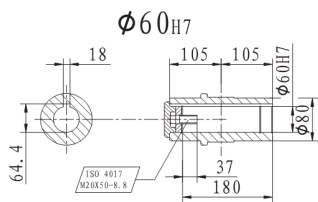
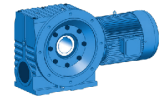


未标注尺寸可相互参照

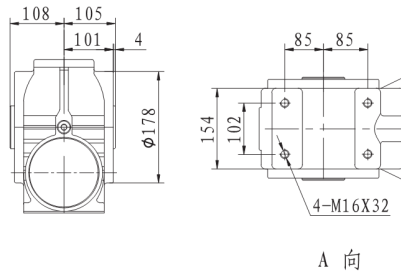
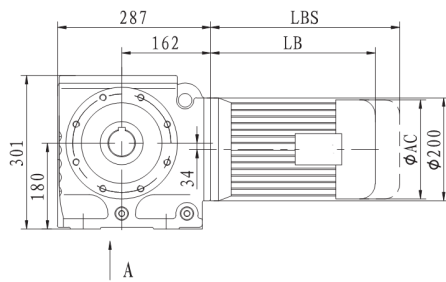
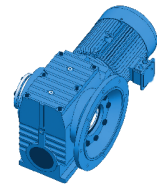




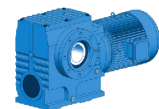
SA-A-F-77
(φ60/φ50)



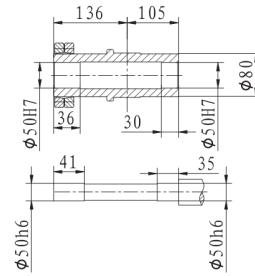
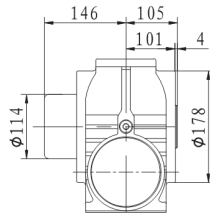
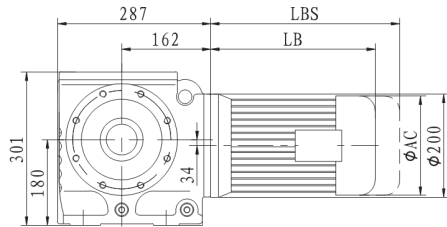
SA-H-F-77



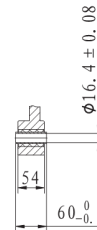
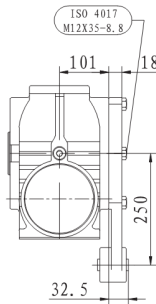
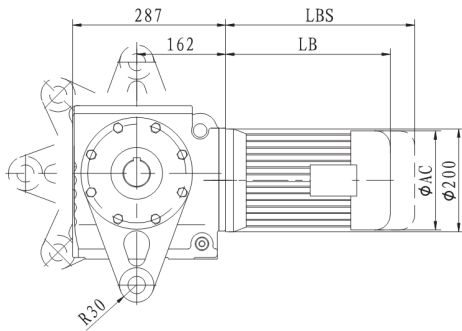
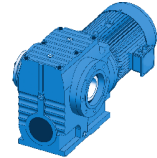
SA-A-77
(φ60/φ50)



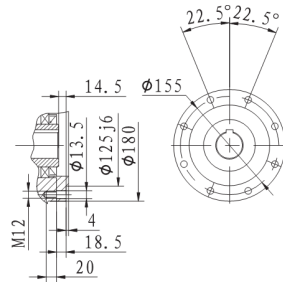
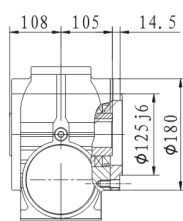
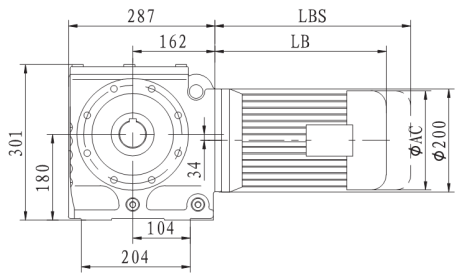
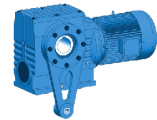
未标注尺寸可相互参照



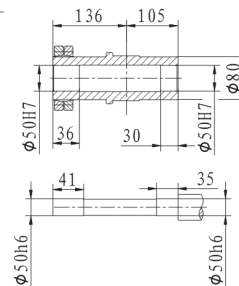
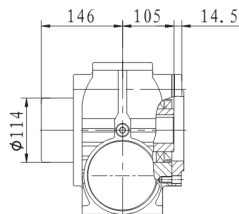
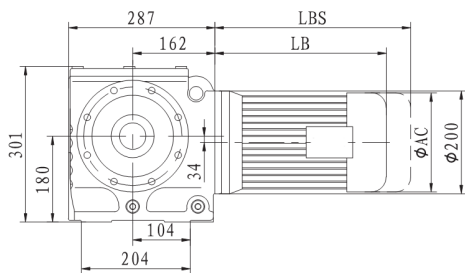
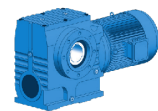
SA-H-77



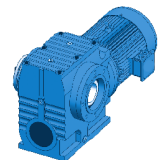
SA-A-T-77
($\phi 60/\phi 50$)



SA-A-Z-77
($\phi 60/\phi 50$)

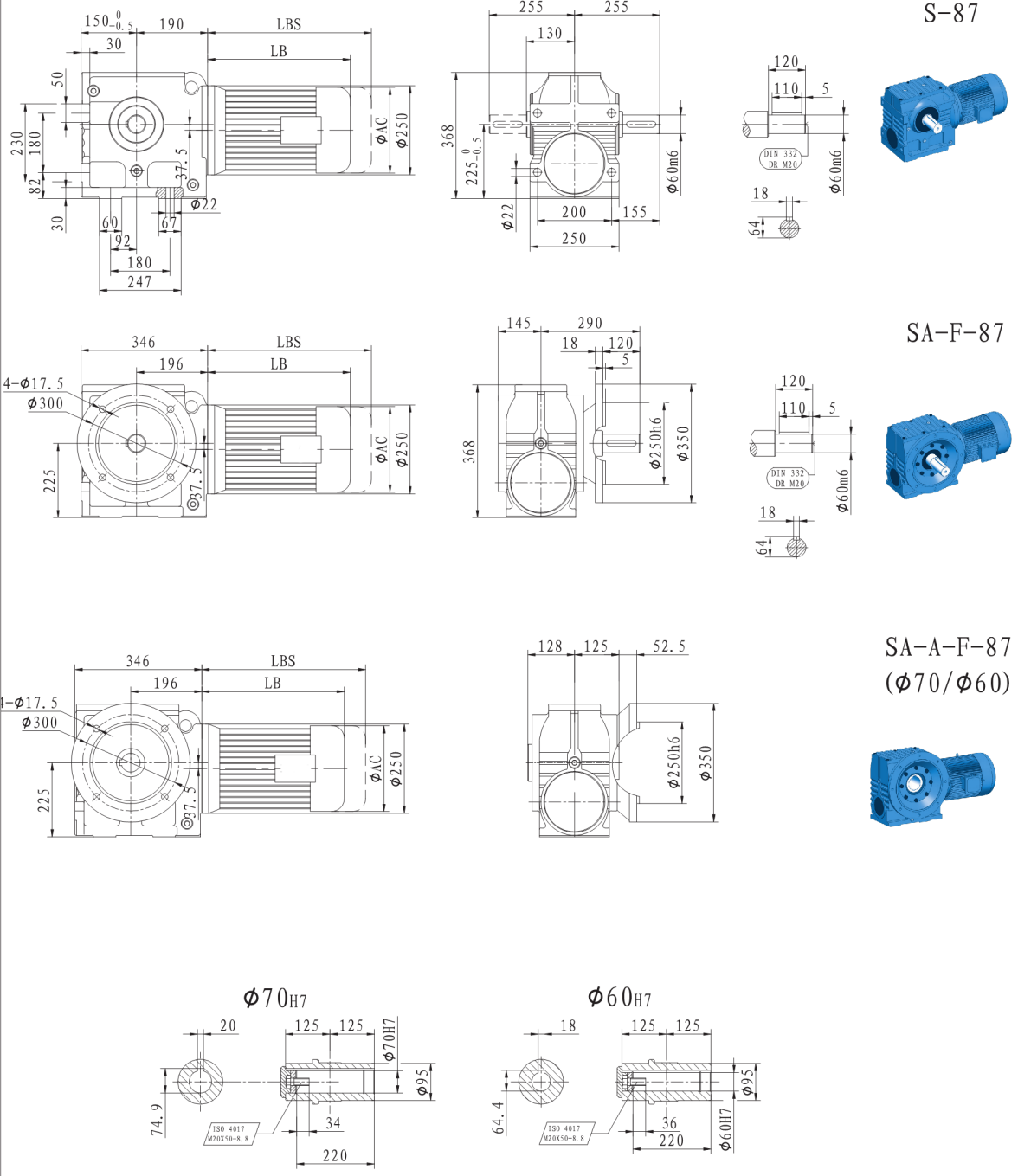


SA-H-Z-77

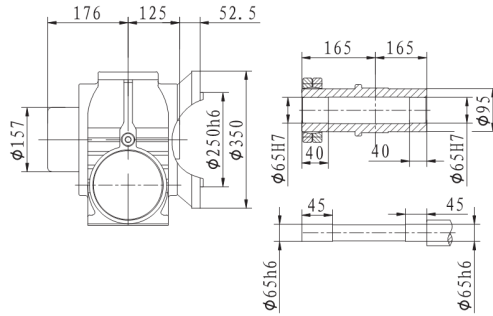
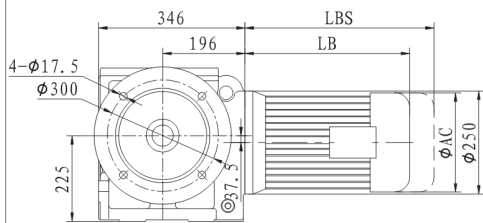


未标注尺寸可相互参照

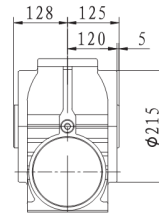
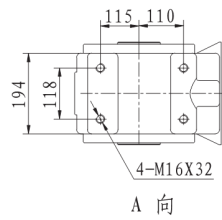
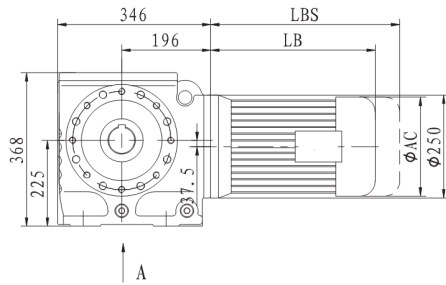
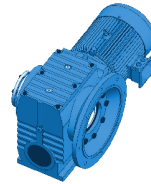




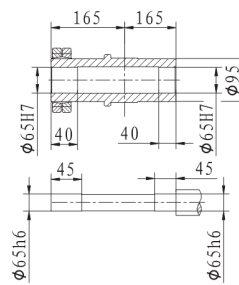
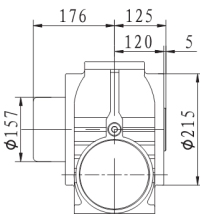
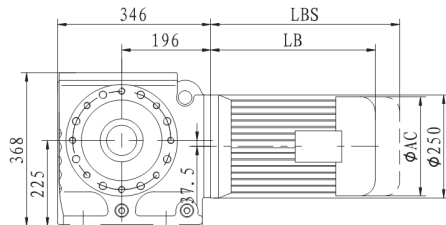
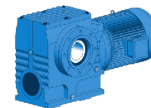
未标注尺寸可相互参照



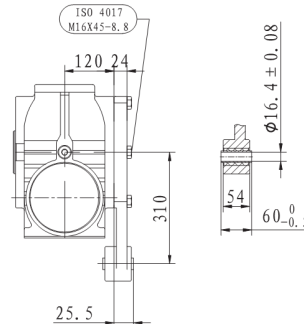
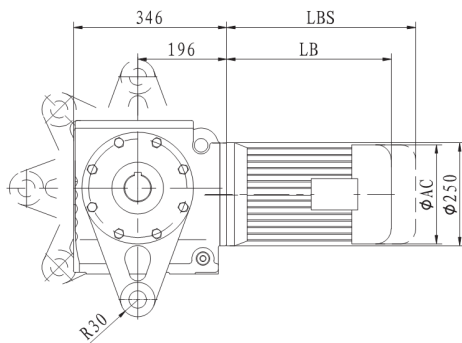
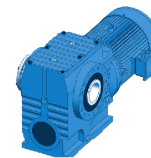
SA-H-F-87



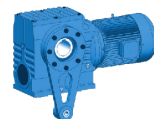
SA-A-87
(φ70/φ60)



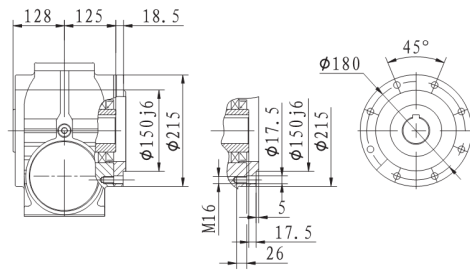
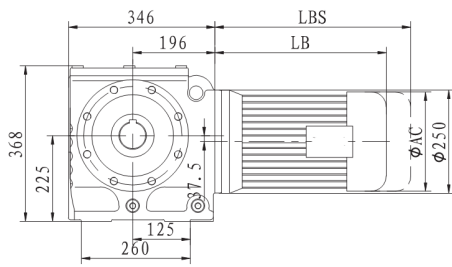
SA-H-87



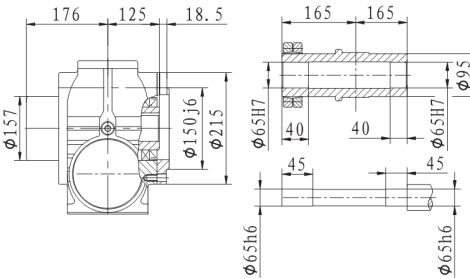
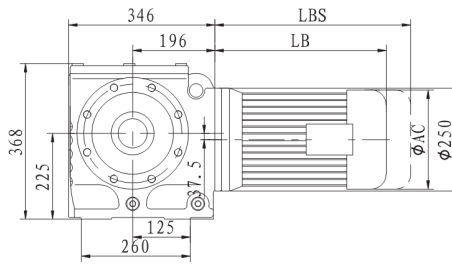
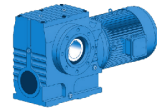
SA-A-T-87
(φ70/φ60)



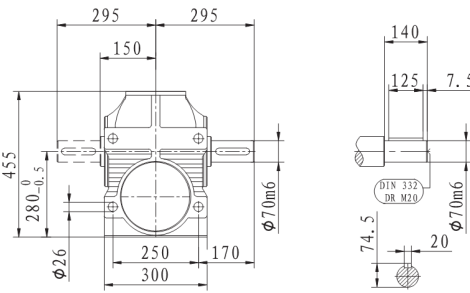
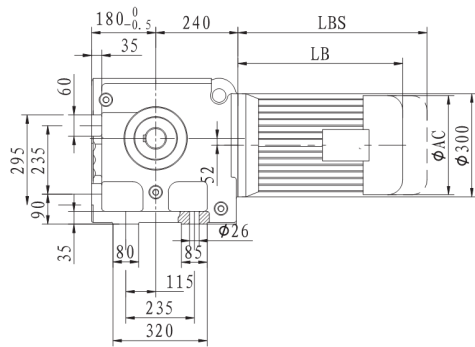
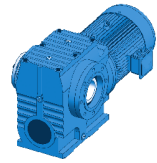
未标注尺寸可相互参照



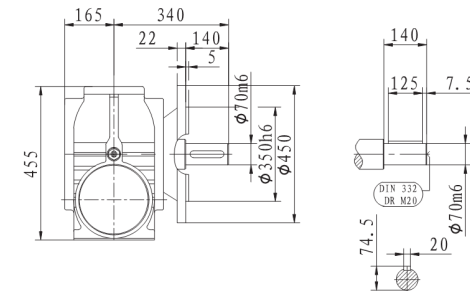
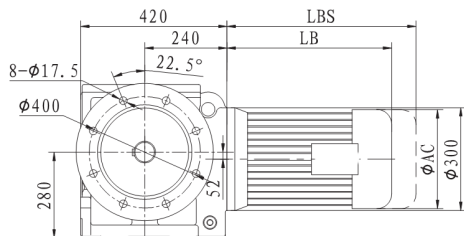
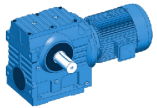
SA-A-Z-87
($\phi 70/\phi 60$)



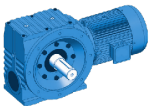
SA-H-Z-87



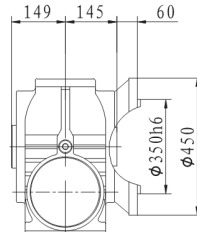
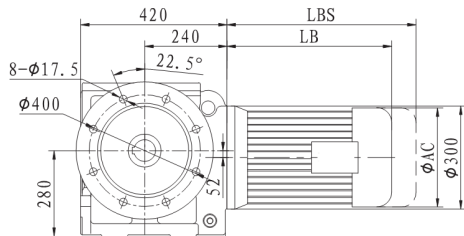
S-97



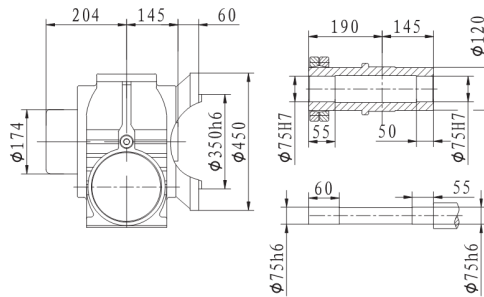
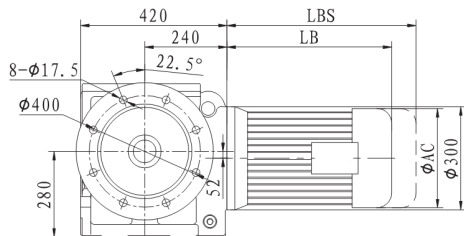
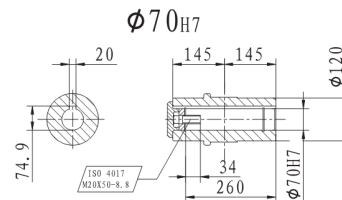
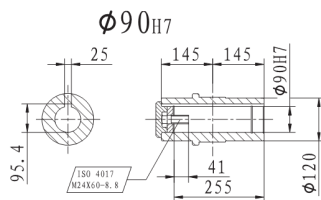
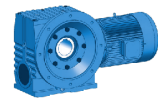
SA-F-97



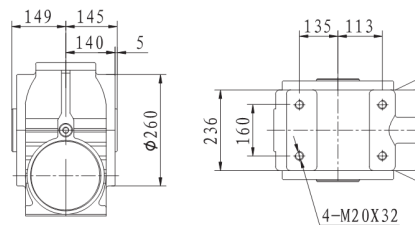
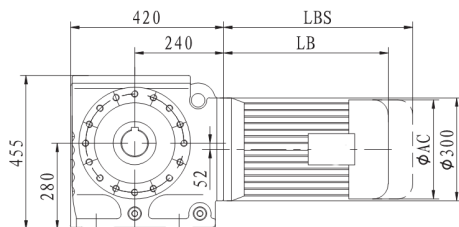
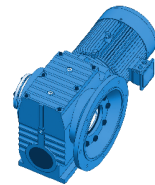
未标注尺寸可相互参照



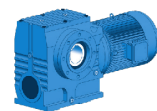
SA-A-F-97
(φ90/φ70)



SA-H-F-97



SA-A-97
(φ90/φ70)

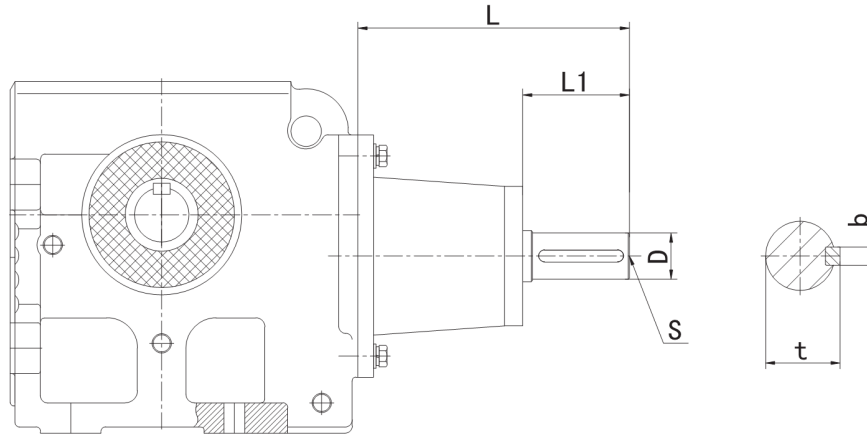


未标注尺寸可相互参照



S-AD轴输入型外形尺寸图

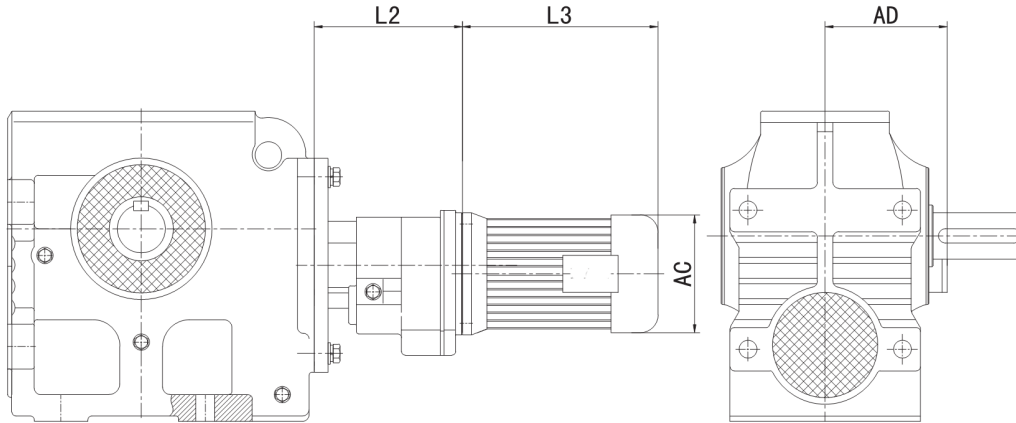
S-AD:Dimension Sheet For Input Shaft Type



S

型号 Gear unit type		输入轴尺寸/Input shaft dimension					
		L	L1	D	t	b	S
S37	AD1	102	40	16	18	5	M5
	AD2	128	40	19	21.5	6	M8
S47	AD2	123	40	19	21.5	6	M5
	AD3	159	50	24	27	8	M8
S57	AD2	128	40	19	21.5	6	M8
S67	AD2	123	40	19	21.5	6	M6
S77	AD3	150	50	24	27	8	M8
	AD4	224	80	38	41	10	M12
S87	AD3	156	60	28	31	8	M10
	AD4	219	80	38	41	10	M12
	AD5	292	110	42	45	12	M16
S97	AD4	214	80	38	41	10	M12
	AD5	287.5	110	42	45	12	M16
	AD6	309	110	48	51.5	14	M16

S-RF多级串联型减速机外形尺寸图
S-RF Multi-stage Reducer Dimension

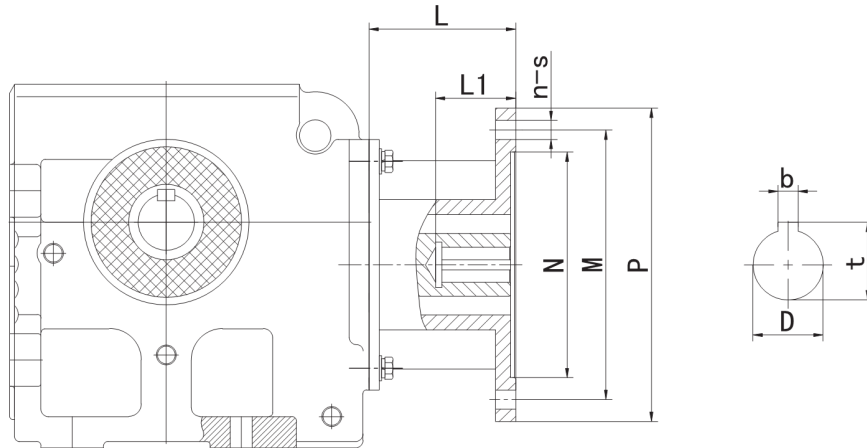


S

型号	机座号	L2	L3	AD	AC
S-67-RF-F-37	Y63	157	222	70	130
	Y71		242	80	145
	Y80		283	145	175
S-77-RF-F-37	Y63	157	222	70	130
	Y71		242	80	145
	Y80		283	145	175
	Y90		322	155	195
S-87-RF-F-57	Y63	187	222	70	130
	Y71		242	80	145
	Y80		283	145	175
	Y90		322	155	195
	Y100		355	180	215
S-97-RF-F-57	Y63	187	222	70	130
	Y71		242	80	145
	Y80		283	145	175
	Y90		322	155	195
	Y100		355	180	215
	Y112		371	190	240

S-AM轴输入型外形尺寸图

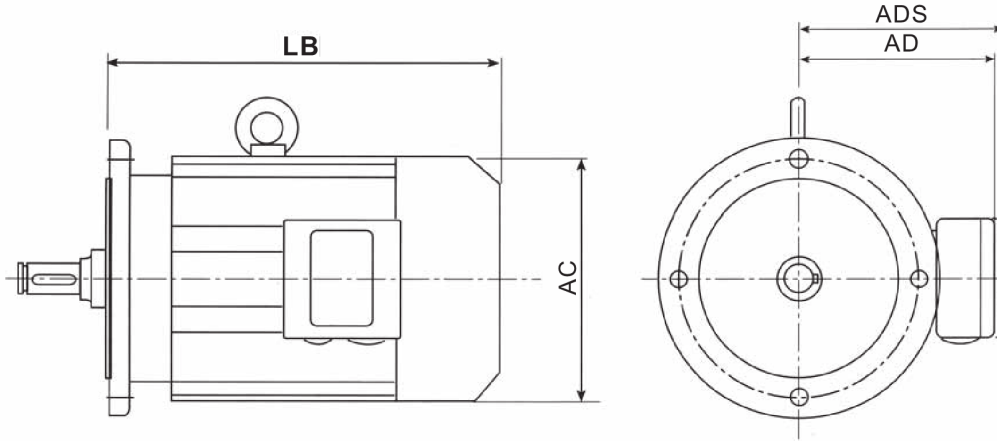
S-AM: Dimension Sheet For Input Shaft Type



型号 Gear unit type		输入轴尺寸/Input shaft dimension										型号 Gear unit type		输入轴尺寸/Input shaft dimension									
		L	L1	D	b	M	N	P	s	t	n			L	L1	D	b	M	N	P	s	t	n
S37	Y63	65	34	11	4	115	95	140	10	12.8	8	S97	Y100	84.5	63	28	8	215	180	250	15	31.3	8
	Y71	65	34	14	5	130	110	160	10	16.3	8		Y112	96	85	38	10	265	230	300	15	41.3	8
	Y80	65	45	19	6	165	130	200	12	21.8	8		Y160	125	113.5	42	12	300	250	350	19	45.3	8
	Y90	65	51	24	8	165	130	200	12	27.3	8		Y180	125	113.5	48	14	300	250	350	19	51.8	8
	Y100	95	70	28	8	215	180	250	15	31.3	8		Y200	155	118.5	55	16	350	300	400	19	59.3	8
	Y112	105	84	38	10	265	230	300	15	41.3	8												
S47	Y71	65	34	14	5	130	110	160	10	16.3	8												
	Y80	96	42	19	6	165	130	200	12	21.8	8												
	Y90	96	54	24	8	165	130	200	12	27.3	8												
S57	Y100	79.5	66	28	8	215	180	250	15	31.3	8												
	Y112	91	64	19	6	165	130	200	12	21.8	8												
	Y71	65	34	14	5	130	110	160	10	16.3	8												
	Y80	65	45	19	6	165	130	200	12	21.8	8												
	Y90	65	51	24	8	165	130	200	12	27.3	8												
S67	Y100	121	64	28	8	215	180	250	15	31.3	8												
	Y112	121	84	38	10	265	230	300	15	41.3	8												
	Y71	65	34	14	5	130	110	160	10	16.3	8												
	Y80	96	42	19	6	165	130	200	12	21.8	8												
S77	Y90	96	54	24	8	165	130	200	12	27.3	8												
	Y100	91	64	19	6	165	130	200	12	21.8	8												
	Y112	121	64	28	8	215	180	250	15	31.3	8												
	Y132	121	84	38	10	265	230	300	15	41.3	8												
	Y160	155	115	42	12	300	250	350	19	45.3	8												
S87	Y90	84.5	63	24	8	165	130	200	12	27.3	8												
	Y100	84.5	63	28	8	215	180	250	15	31.3	8												
	Y112	96	85	38	10	265	230	300	15	41.3	8												
	Y132	125	116	42	12	300	250	350	19	45.3	8												
	Y180	125	116	48	14	300	250	350	19	51.8	8												



K · R · F · S系列与电机直联时电机外形尺寸图 / Outline Dimensional Drawing For Special Motors



S

电机机座号 / Motor Size	LB	AC	AD
Y63	222	130	70
Y71	242	145	80
Y80	283	175	145
Y90S	297	195	155
Y90L	322	195	155
Y100L	355	215	180
Y112M	371	240	190
Y132S	410	275	210
Y132M	450	275	210
Y160M	494	330	255
Y160L	550	330	255
Y180M	585	380	280
Y180L	625	380	280
Y200L	660	420	305
Y225S	680	470	335
Y225M	705	470	335
Y250M	770	510	370
Y280S	835	580	410
Y280M	885	580	410
Y315S	1040	645	530
Y315M	1150	645	530
Y315L	1150	645	530

说明：图中ADS为隔爆等特殊电机接线盒所示尺寸，此处未列出，如有需要，请向我们咨询。

ADS is the dimension for the explosion-proof motors and other special motors, please contact us for details.